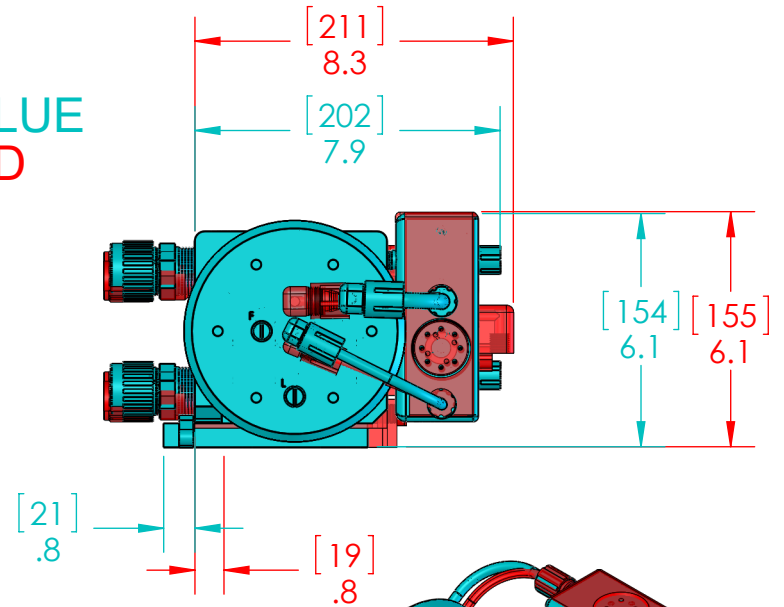
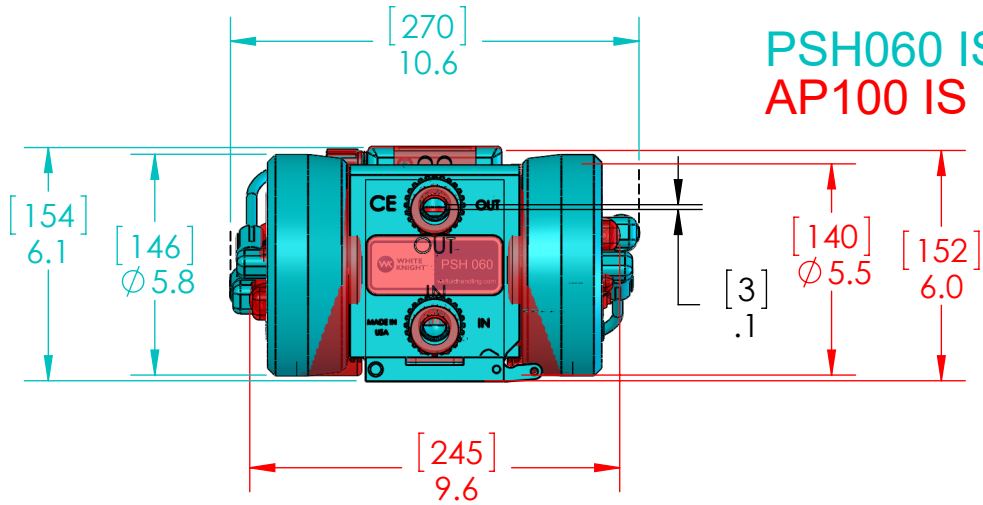
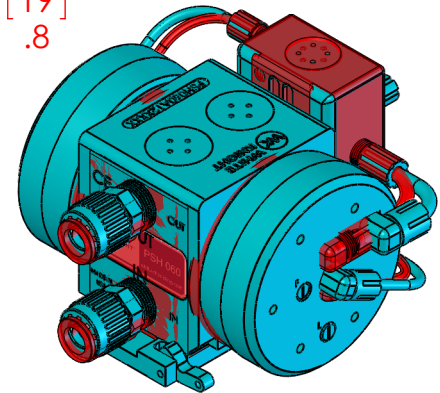
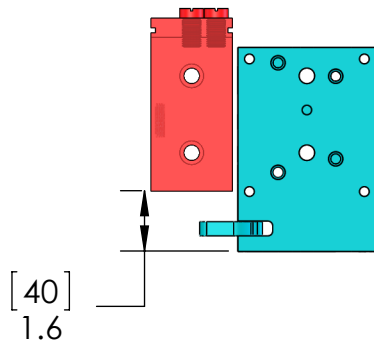
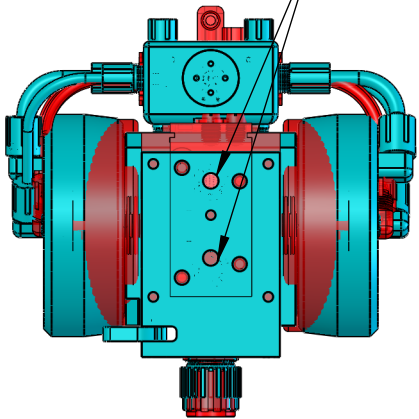


MAIN DIMENSIONS INCHES  
[BRACKETED] DIMENSIONS mm

PSH060 IS BLUE  
AP100 IS RED



BASEPLATE MOUNTING  
CONFIGURATION DOES  
NOT CHANGE



DIMENSIONS ARE FOR REFERENCE ONLY  
SEE SPECIFICATION SHEET FOR DIMENSIONS

### DIMENSION COMPARISON PSH060 TO AP100

DESCRIPTION

White Knight Fluid Handling, INC.

187 E 670 S KAMAS, UT 84036 USA  
435-783-6040 Toll Free 1-888-SYNCHRO  
Fax: 435-783-6128  
www.wkfluidhandling.com

PROPRIETY INFORMATION

THIS DRAWING AND ALL INFORMATION THEREON IS CONFIDENTIAL AND SHALL NOT BE COPIED, TRANSFERRED, OR USED IN ANY WAY DETRIMENTAL TO THE INTEREST OF WHITE KNIGHT. THIS DRAWING IS THE PROPERTY OF WHITE KNIGHT, AND IS LOANED SUBJECT TO RETURN UPON DEMAND.