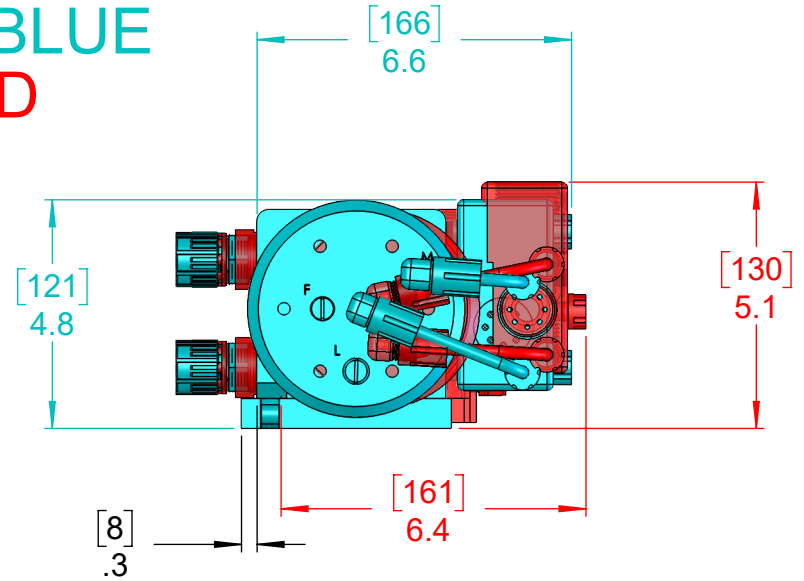
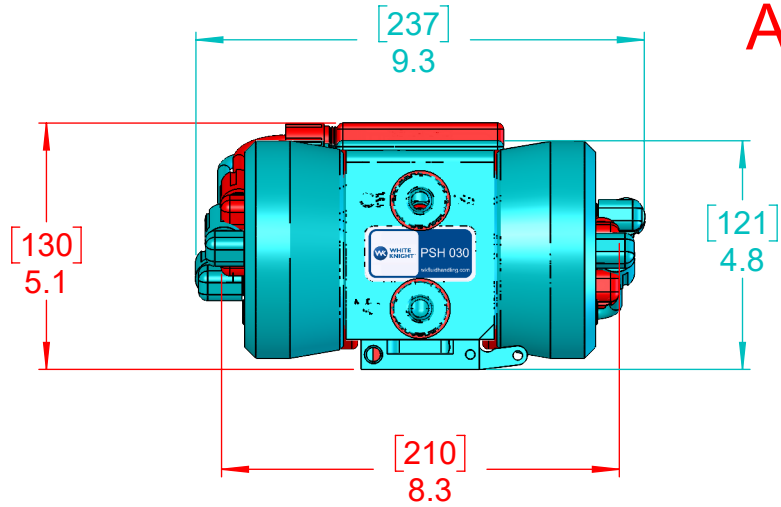
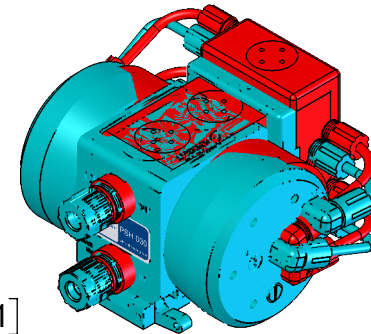
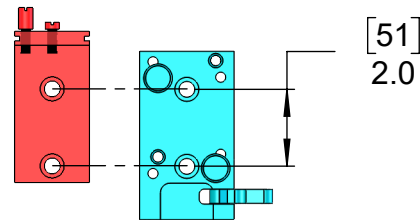
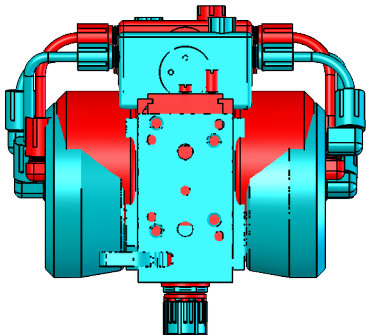


MAIN DIMENSIONS INCHES  
[BRACKETED] DIMENSIONS mm

PSH030 IS BLUE  
AP50 IS RED



NOTE: DISTANCE FROM EXISTING MOUNTING HOLES TO NEW MOUNTING HOLES.



DIMENSIONS ARE FOR REFERENCE ONLY  
SEE SPECIFICATION SHEET FOR DIMENSIONS

**DIMENSION COMPARISON  
PSH030 TO AP50**

DESCRIPTION
<b>White Knight Fluid Handling, INC.</b>
187 E 670 S KAMAS, UT 84036 USA
435-783-6040 Toll Free 1-888-SYNCHRO
Fax: 435-783-6128
www.wkfluidhandling.com

**PROPRIETY INFORMATION**  
THIS DRAWING AND ALL INFORMATION THEREON IS CONFIDENTIAL AND SHALL NOT BE COPIED, TRANSFERRED, OR USED IN ANY WAY DETRIMENTAL TO THE INTEREST OF WHITE KNIGHT. THIS DRAWING IS THE PROPERTY OF WHITE KNIGHT, AND IS LOANED SUBJECT TO RETURN UPON DEMAND.