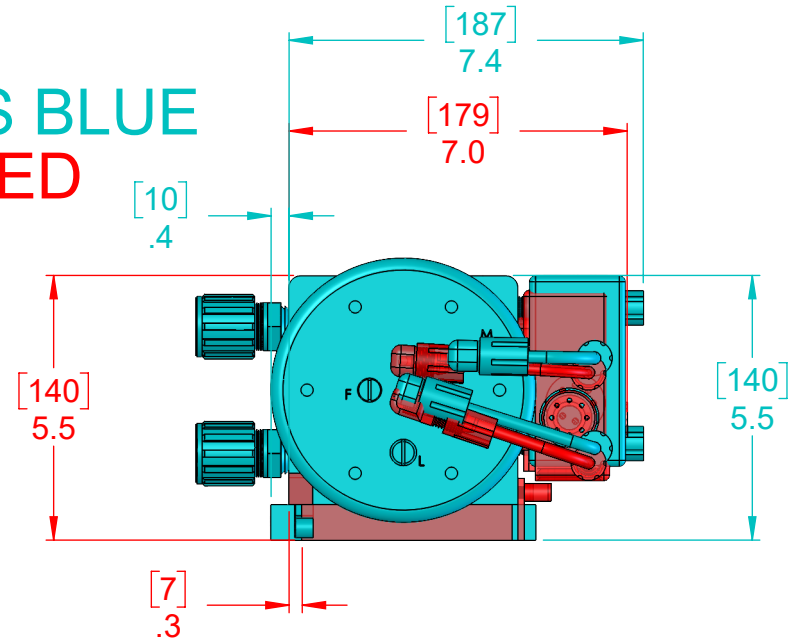
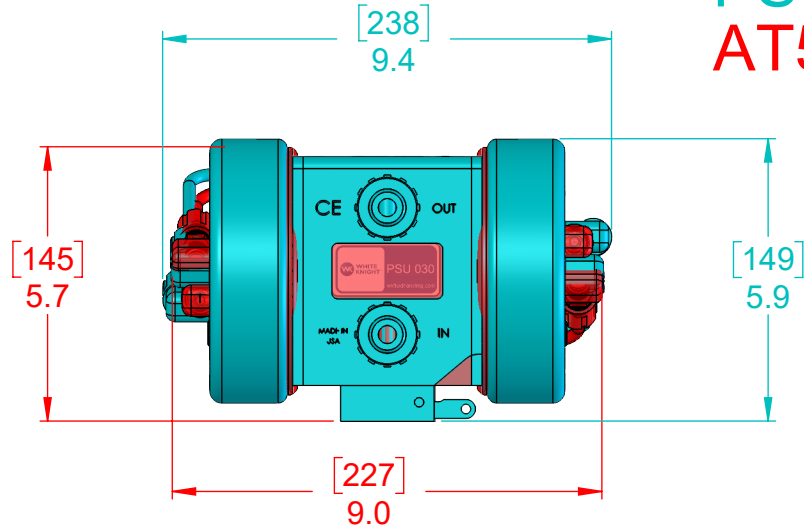
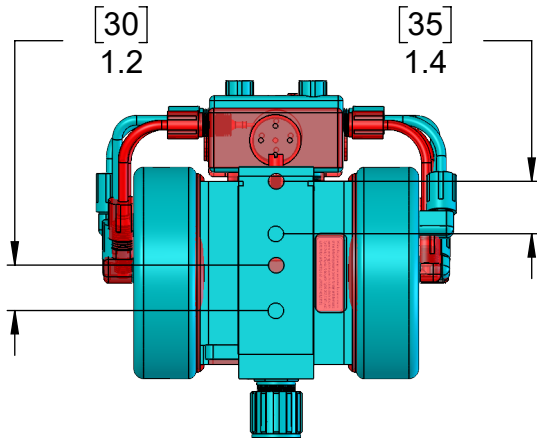


**MAIN DIMENSIONS INCHES  
[BRACKETED] DIMENSIONS mm**

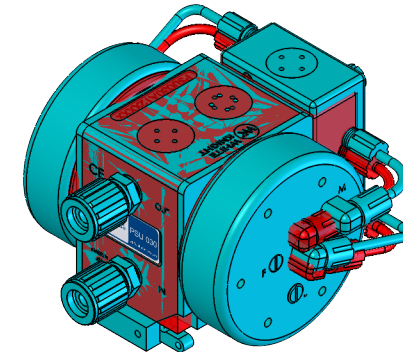
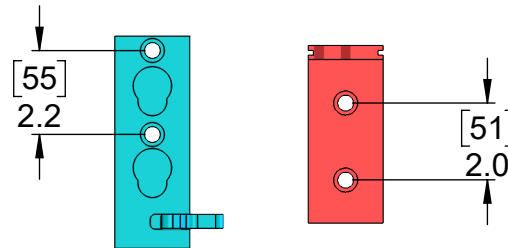
**PSU030 IS BLUE  
AT50 IS RED**



**NOTE: DISTANCE FROM  
EXISTING MOUNTING HOLES  
TO NEW MOUNTING HOLES.**



**NOTE: AT50 BASEPLATE  
COMPATIBLE WITH A  
PSU030 PUMP BODY**



**DIMENSIONS ARE FOR REFERENCE ONLY  
SEE SPECIFICATION SHEET FOR DIMENSIONS**

<p><b>DIMENSION COMPARISON PSU030-F12 TO AT50-AATT-ACHA</b></p> <p><small>DESCRIPTION</small></p>
<p><b>White Knight Fluid Handling, INC.</b></p> <p>187 E 670 S KAMAS, UT 84036 USA 435-783-6040 Toll Free 1-888-SYNCHRO Fax: 435-783-6128 www.wkfluidhandling.com</p>
<p><b>PROPRIETY INFORMATION</b></p> <p><small>THIS DRAWING AND ALL INFORMATION THEREON IS CONFIDENTIAL AND SHALL NOT BE COPIED, TRANSFERRED, OR USED IN ANY WAY DETRIMENTAL TO THE INTEREST OF WHITE KNIGHT. THIS DRAWING IS THE PROPERTY OF WHITE KNIGHT, AND IS LOANED SUBJECT TO RETURN UPON DEMAND.</small></p>