

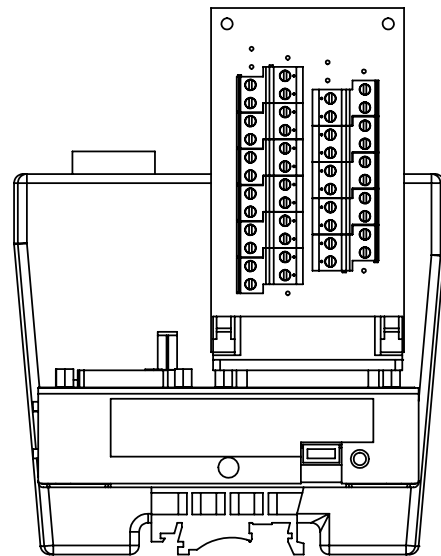
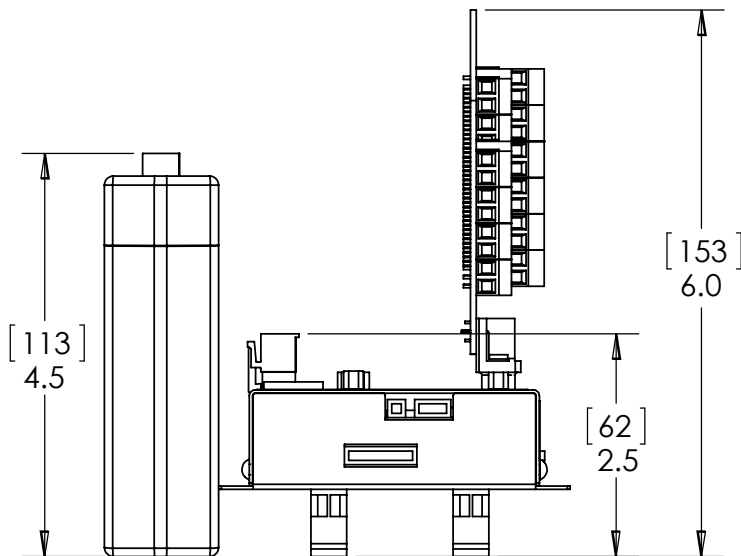
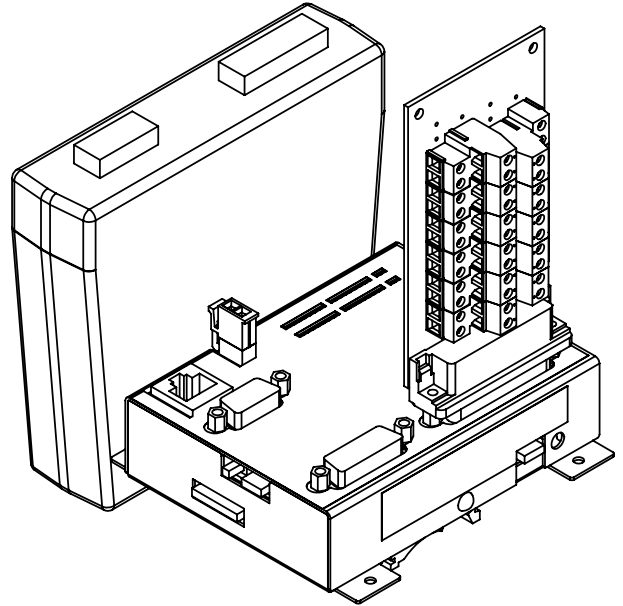
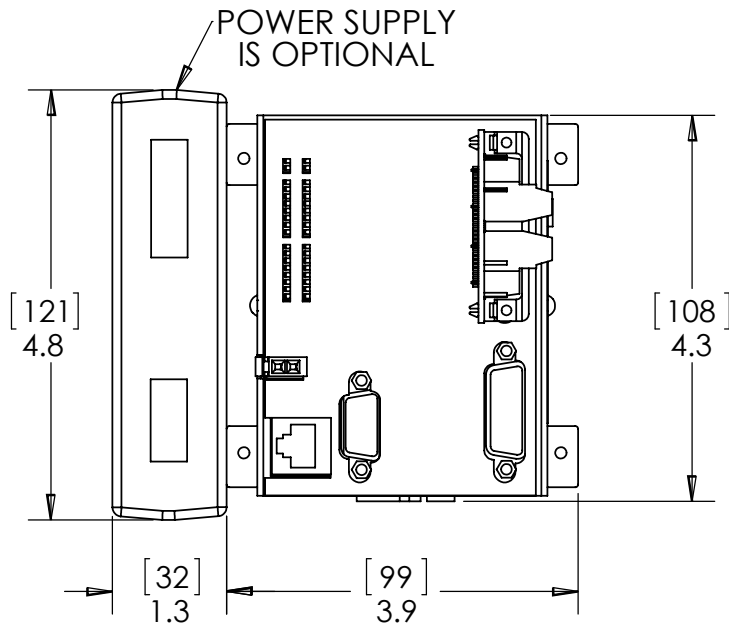


**WHITE KNIGHT®**

# CPT-1-S DIMENSIONALS

## CPT-1-S Dimensions

DIMENSIONS IN [MILLIMETERS] INCHES



<https://wkfluidhandling.com/cpt-1>

