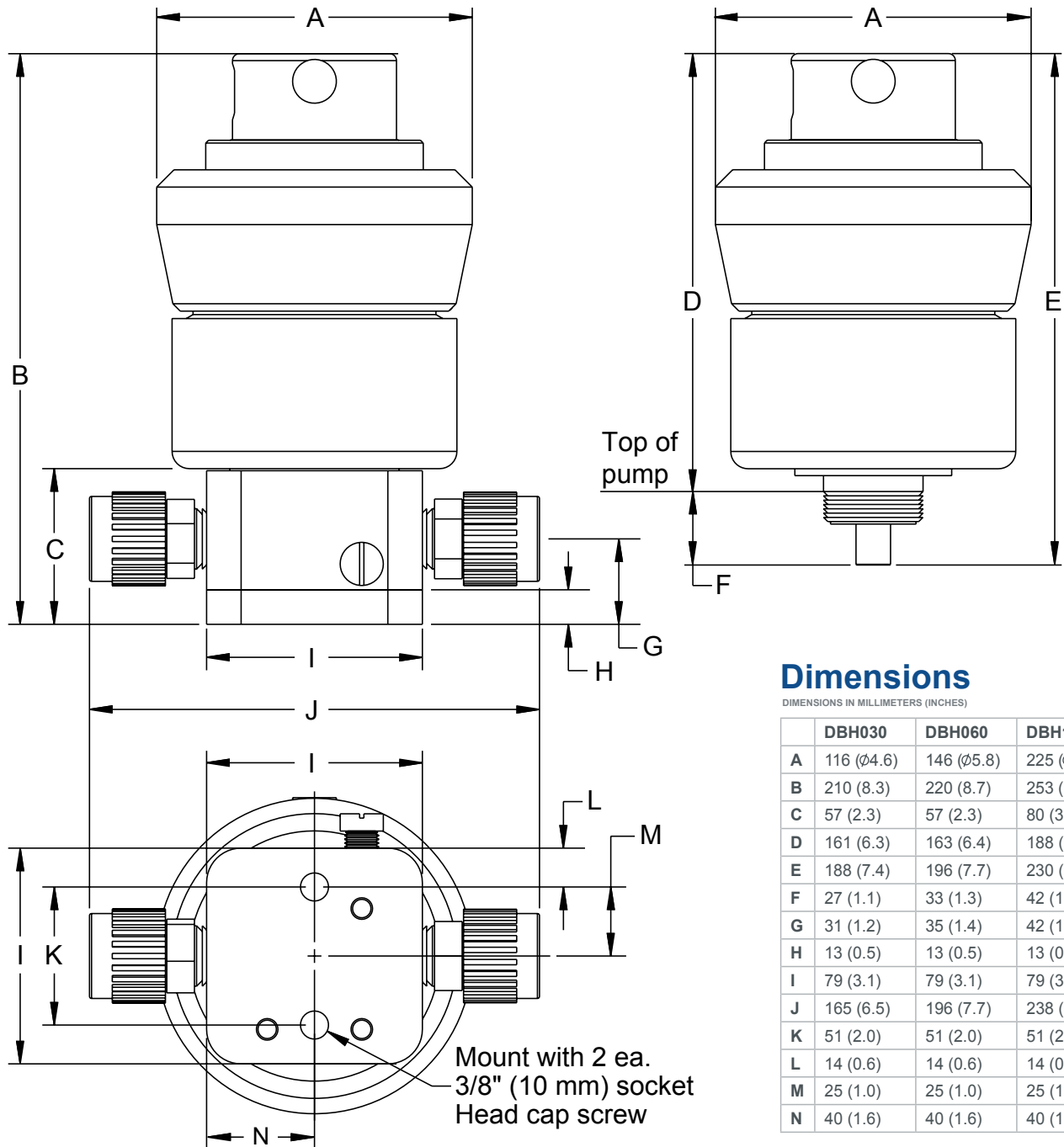




## Dimensions

DIMENSIONS IN [MILLIMETERS] INCHES



## Dimensions

DIMENSIONS IN MILLIMETERS (INCHES)

|   | DBH030     | DBH060     | DBH140     |
|---|------------|------------|------------|
| A | 116 (ø4.6) | 146 (ø5.8) | 225 (ø8.9) |
| B | 210 (8.3)  | 220 (8.7)  | 253 (10.0) |
| C | 57 (2.3)   | 57 (2.3)   | 80 (3.2)   |
| D | 161 (6.3)  | 163 (6.4)  | 188 (7.4)  |
| E | 188 (7.4)  | 196 (7.7)  | 230 (9.0)  |
| F | 27 (1.1)   | 33 (1.3)   | 42 (1.6)   |
| G | 31 (1.2)   | 35 (1.4)   | 42 (1.6)   |
| H | 13 (0.5)   | 13 (0.5)   | 13 (0.5)   |
| I | 79 (3.1)   | 79 (3.1)   | 79 (3.1)   |
| J | 165 (6.5)  | 196 (7.7)  | 238 (9.4)  |
| K | 51 (2.0)   | 51 (2.0)   | 51 (2.0)   |
| L | 14 (0.6)   | 14 (0.6)   | 14 (0.6)   |
| M | 25 (1.0)   | 25 (1.0)   | 25 (1.0)   |
| N | 40 (1.6)   | 40 (1.6)   | 40 (1.6)   |

DBH030 dimensions 'D' and 'E' increase by 0.27 in. when configured to a 60 liter pump (configuration DBH030-T060).

<https://wkfluidhandling.com/dbh>

