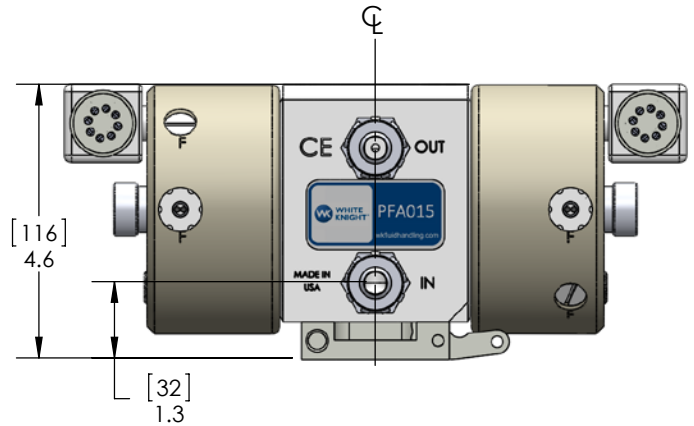
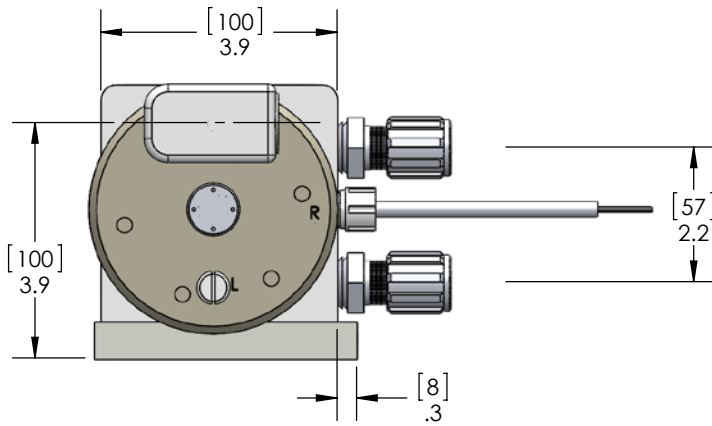
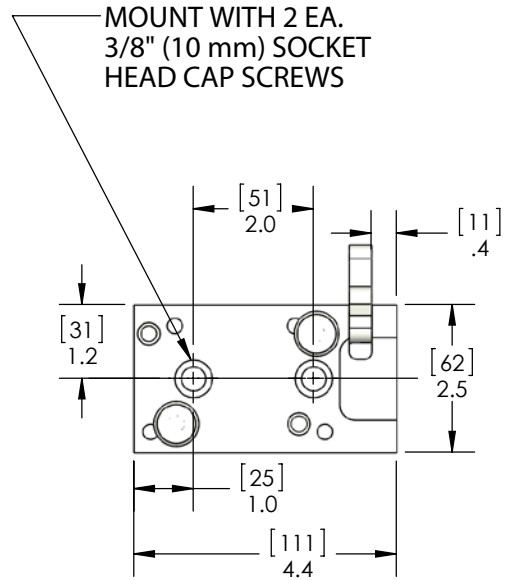
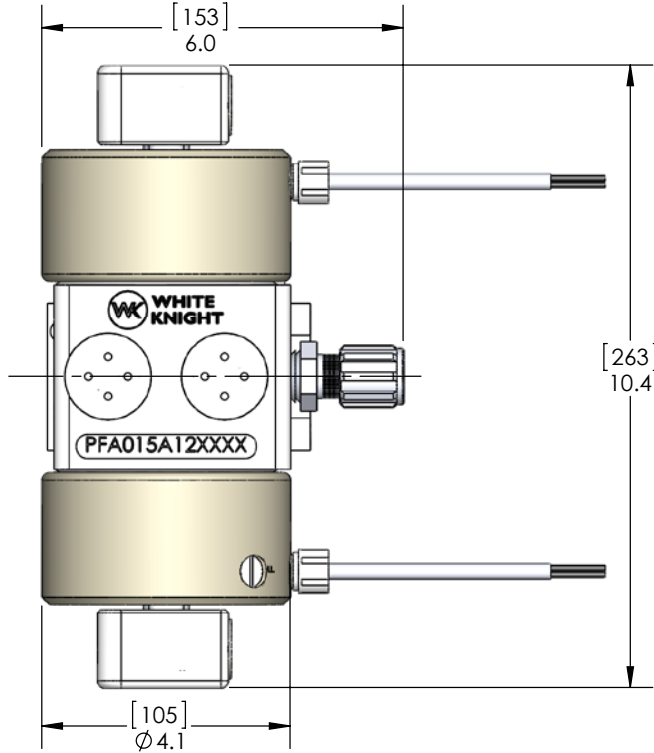




PFA015 Dimensions

Dimensions: [mm] in



<https://wkfluidhandling.com/pfa-series/>

