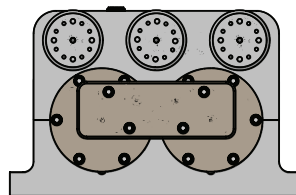
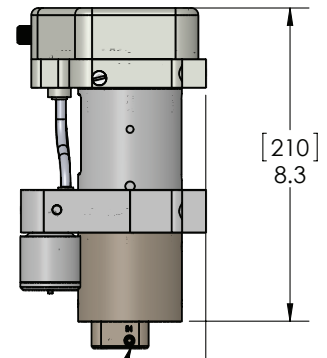
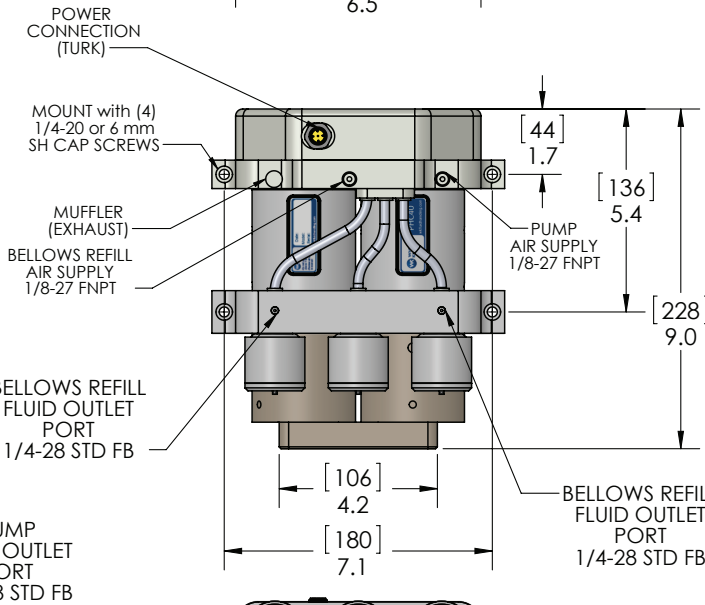
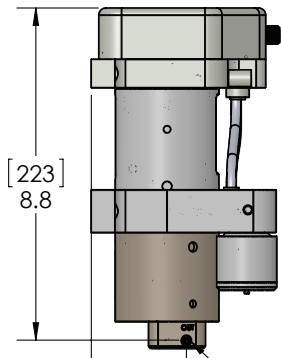
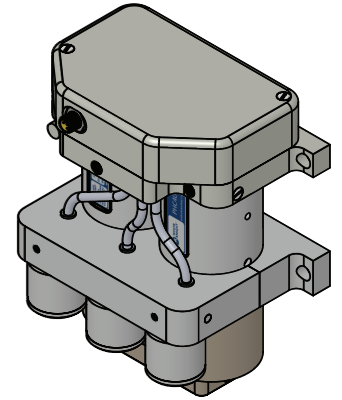
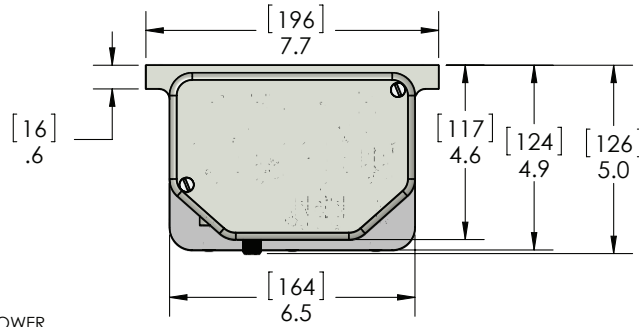
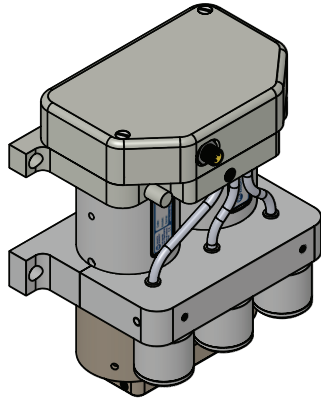




Dimensions

DIMENSIONS IN [MILLIMETERS] INCHES



**PHC40-2
With AUTO
BELLOWS REFILL**

MAIN DIMENSIONS INCHES
[BRACKETED] DIMENSIONS mm

