



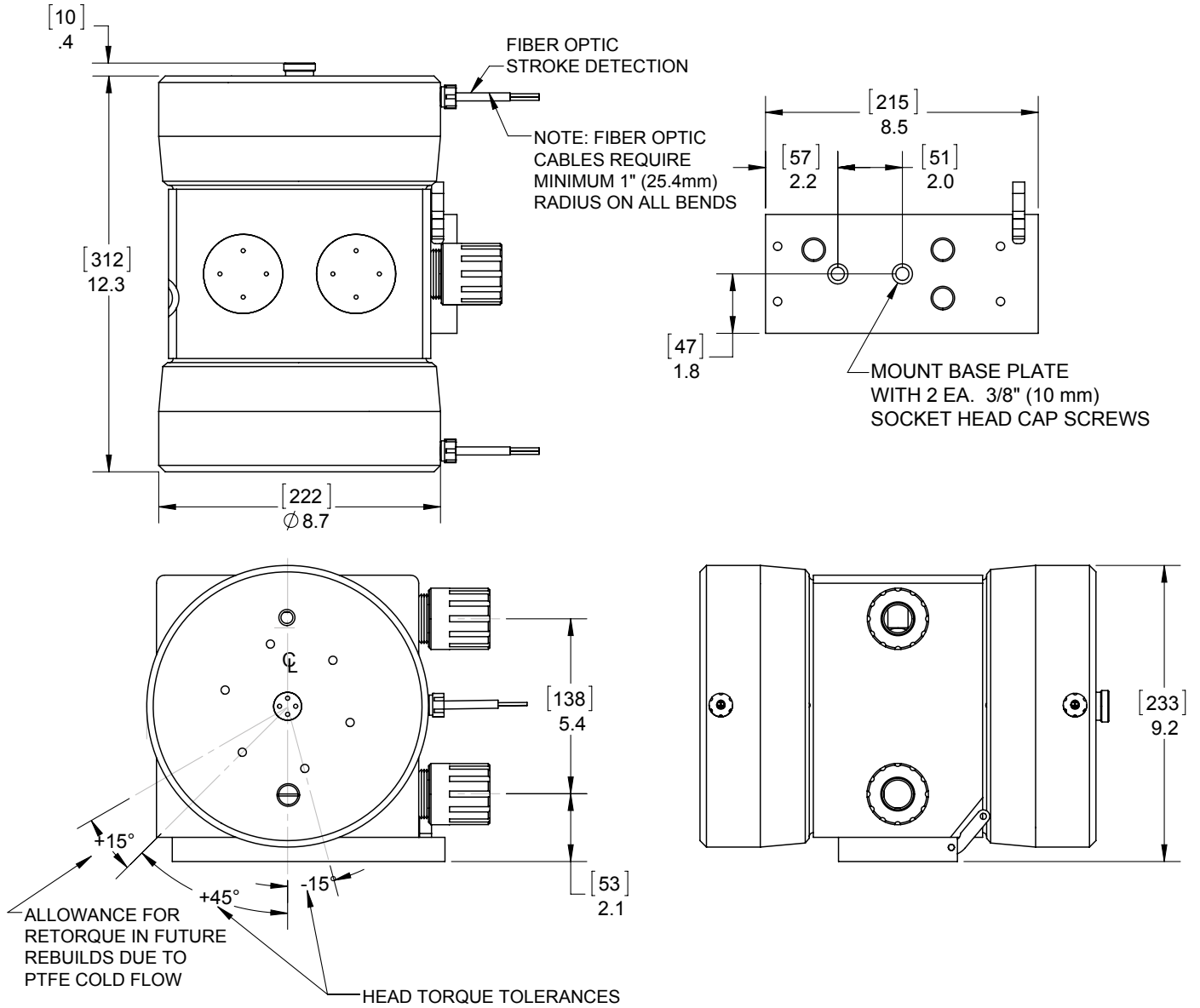
WHITE KNIGHT™

.....simply driven™

PLF120 DIMENSIONALS

Pump Dimensions

DIMENSIONS IN [MILLIMETERS] INCHES



wkfluidhandling.com/plf120

Our engineers are easy to work with and ready to perform your custom testing. Contact us at info@wkfluidhandling.com or 435.783.6040, or visit wkfluidhandling.com

Published July 17, 2013 | All specifications are subject to change without notice.

© 2013 White Knight Fluid Handling, Inc.

