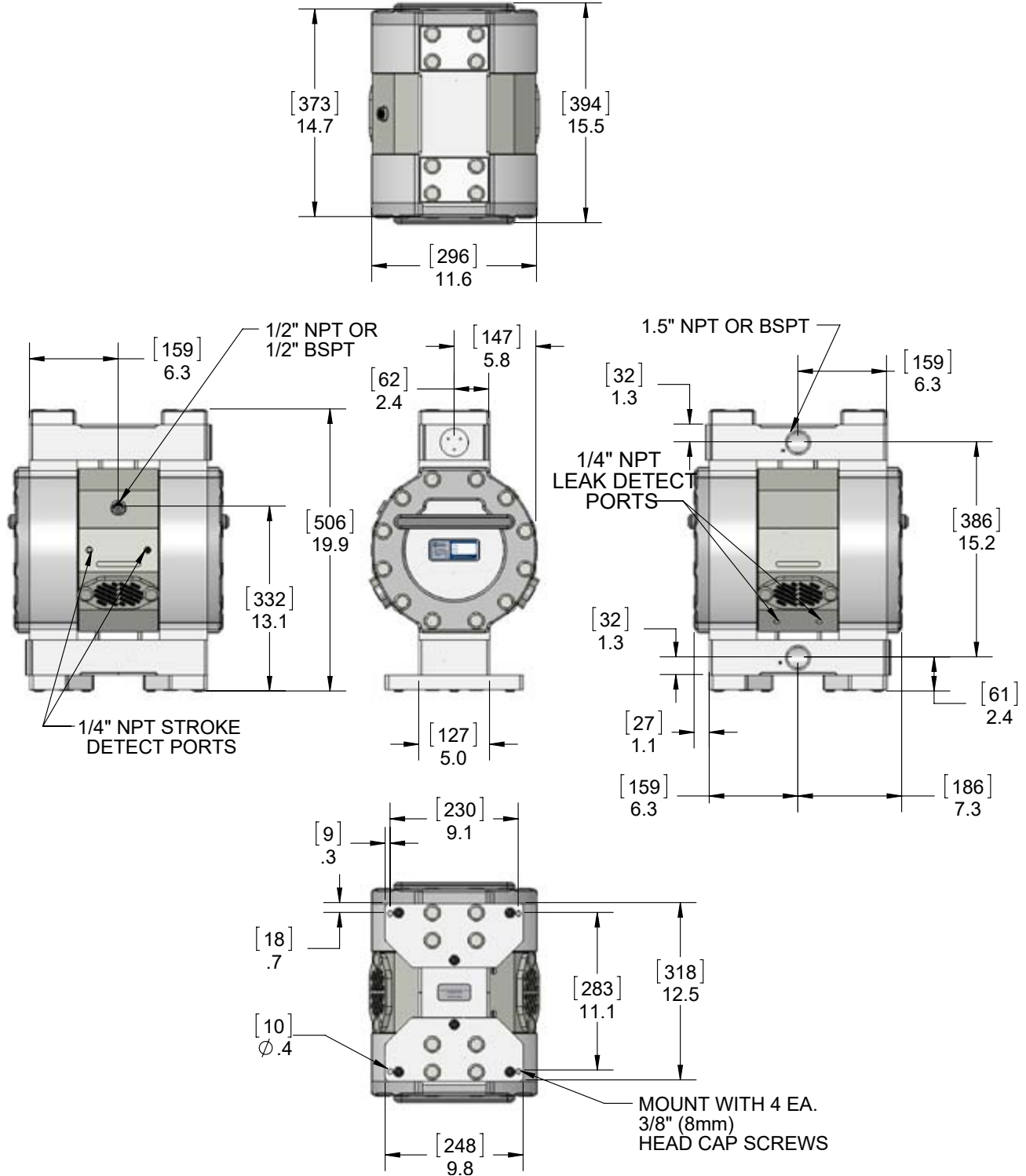




Dimensions

Dimensions In [millimeters] inches



*Models vary depending on configuration

<https://wkfluidhandling.com/psd>

