

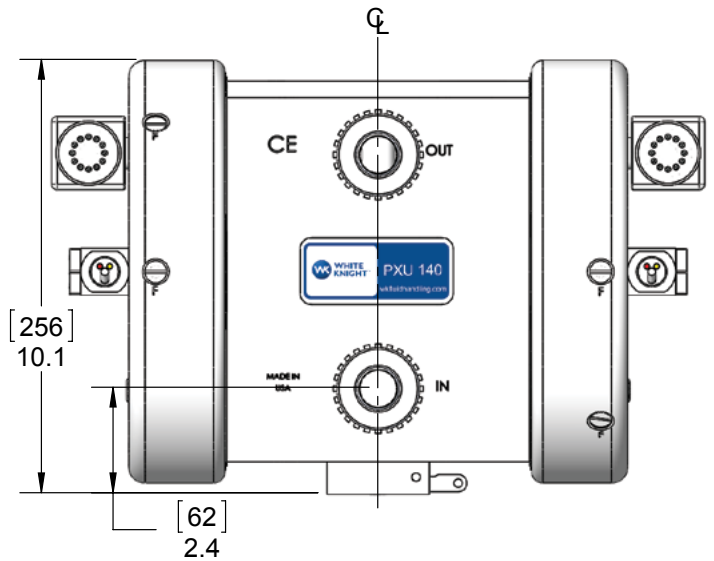
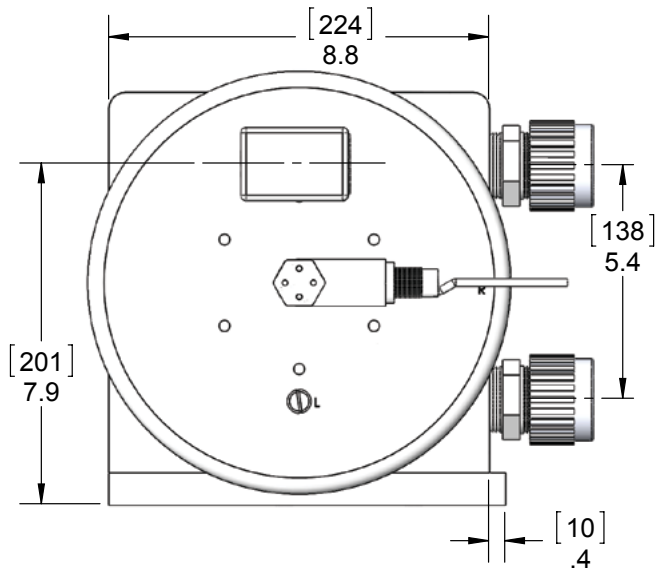
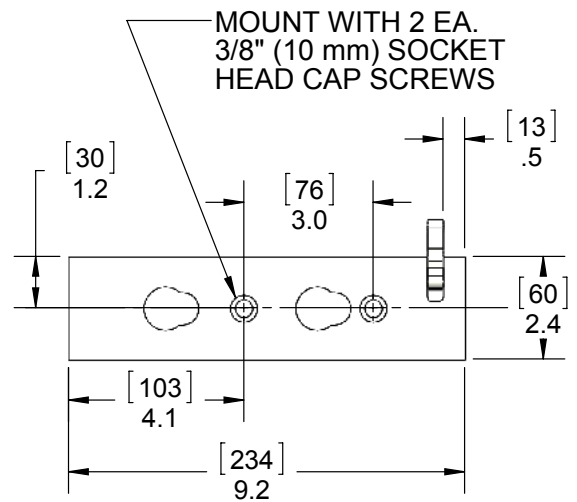
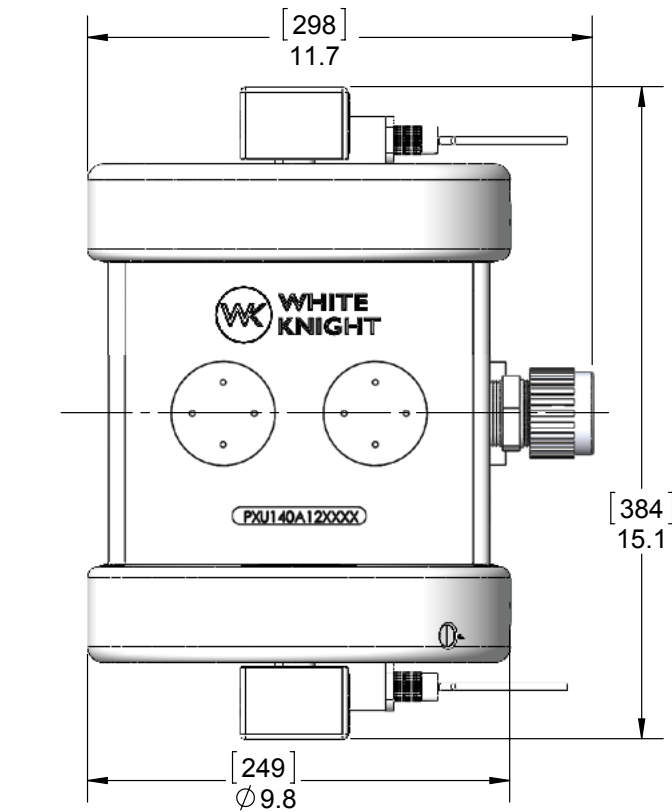


**WHITE KNIGHT®**

# PXU140 DIMENSIONALS

## Dimensions

DIMENSIONS IN [MILLIMETERS] INCHES



<https://wkfluidhandling.com/pxu>

