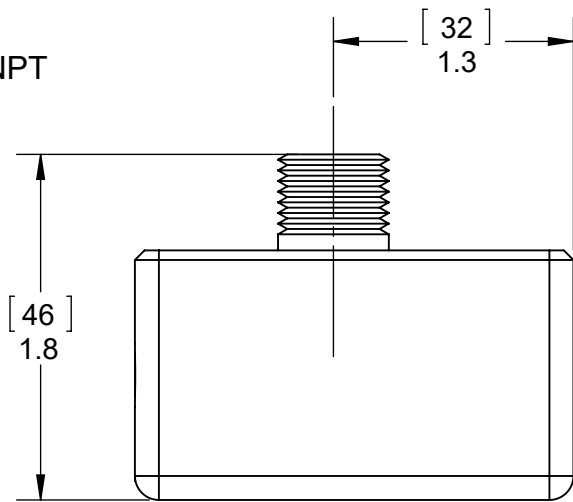
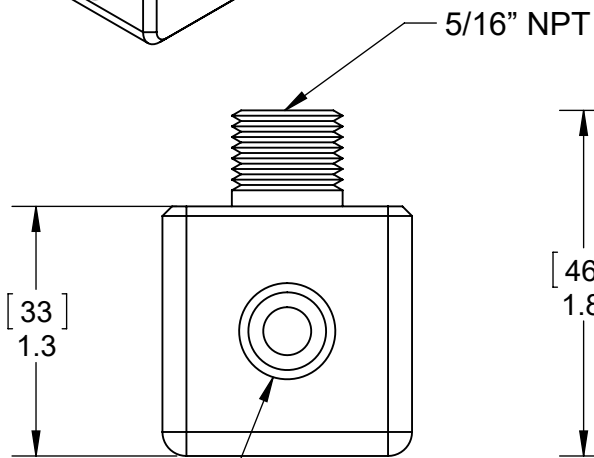
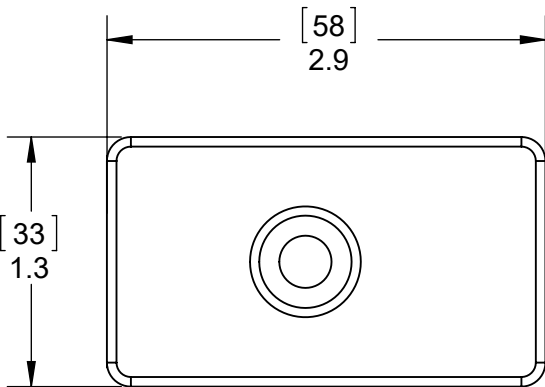
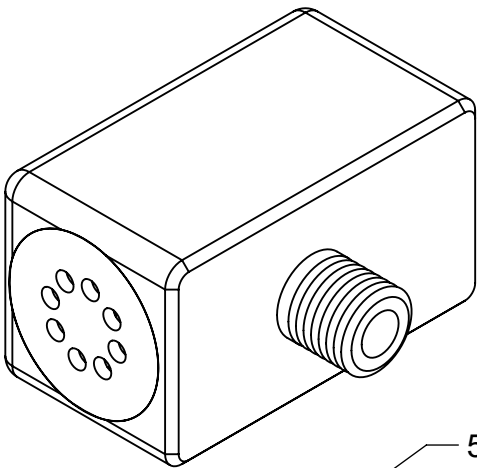


# QEV05

Dimensions in [mm] in.



1/4" FNPT