



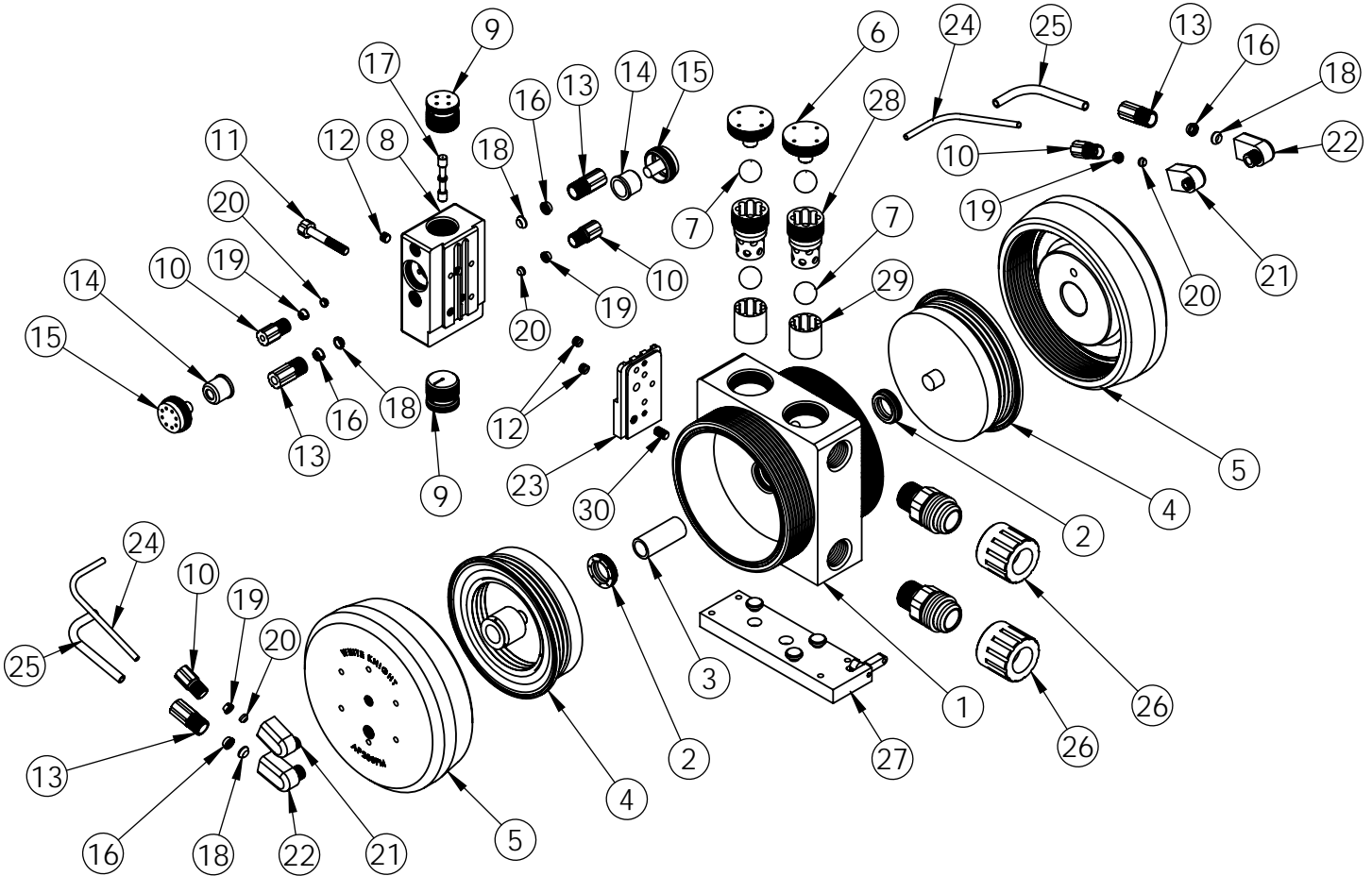
WHITE KNIGHT[®]

.....engineer approved™

PUMP EXPLODED VIEW

AP200FM Exploded View

AP200FM pumps are legacy models. We recommend users consider PSH060 pumps, which provide better performance, increased flow rates, higher pressure capabilities, improved reliability, extended pump life and warranty periods, as well as shorter lead times. Details: <https://wkfluidhandling.com/psh-series/>



AP200 FM BILL OF MATERIALS							
ITEM NO.	PART NUMBER	DESCRIPTION	QTY.	ITEM NO.	PART NUMBER	DESCRIPTION	QTY.
1	1125-TE-0004	PUMP BODY	1	16	6080-KF-0002	3/8" GRIPPER	4
2	5143-TE-0002	SHAFT SEAL	2	17	6560-CE-0002	SHUTTLE SPOOL	1
3	5144-PF-0003	SHAFT	1	18	6080-TE-0002	3/8" FERRULE	4
4	14300-PF-0003	BELLOWS ASSEMBLY	2	19	6080-KF-0001	1/4" GRIPPER	4
5	2127-TE-0005	PUMP HEAD	2	20	6080-TE-0001	1/4" FERRULE	4
6	4140-TE-0003	TOP CHECK PLUG	2	21	6020-TE-0001	1/4" NPT x 1/4" GRIPPER ELBOW	2
7	4100-TE-0003	CHECK BALL	4	22	6020-TE-0002	3/8" NPT x 3/8" GRIPPER ELBOW	2
8	14400-TE-0006	SHUTTLE BODY AND SLEEVE	1	23	6520-TE-0002	SHUTTLE ADAPTER PLATE	1
9	6530-TE-0002	SHUTTLE END PLUG	2	24	10071-PF-0008	THICK-WALL TUBING, 1/4"	1
10	6070-TE-0004	1/4" MALE GRIPPER NUT	4	25	10071-PF-0010	TUBING, 3/8"	2
11	10010-TE-0005	SHUTTLE SET SCREW	1	26	14510-NP-0007	FLARE ASSEMBLY	2
12	10040-TE-0002	1/8" NPT Plug	3	27	14200-NP-0003	BASE PLATE ASSEMBLY	1
13	6070-TE-0005	3/8" MALE GRIPPER NUT	4	28	4142-TE-0004	TOP CHECK CAGE	2
14	6140-TE-0002	WHISPER MUFFLER	2	29	4135-TE-0003	BOTTOM CHECK SEAT	2
15	6150-TE-0003	WHISPER MUFFLER CAP	2	30	10010-TE-0008	ADAPTER PLATE SCREW	1

<https://wkfluidhandling.com/ap-fm-series/>

