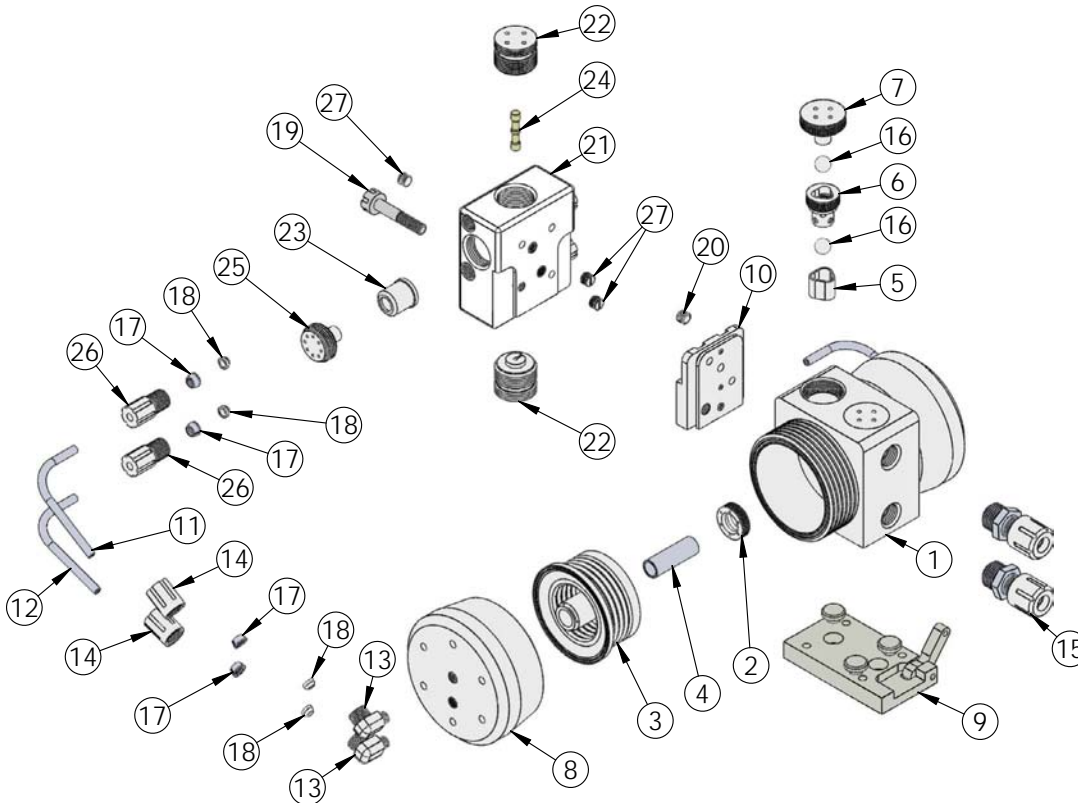


AP50FM Exploded View

AP50FM pumps are legacy models. We recommend users consider PSH030 pumps, which provide better performance, increased flow rates, higher pressure capabilities, improved reliability, extended pump life and warranty periods, as well as shorter lead times. Details: <https://wkfluidhandling.com/psh-series/>



AP50FM BILL OF MATERIALS			
ITEM NO.	PART NUMBER	DESCRIPTION	QTY.
1	1125-TE-0002	PUMP-5GPM	1
2	5143-TE-0001	SHAFT SEAL-5GPM	2
3	14300-PF-0001	BELLOWS ASSEMBLY	2
4	5144-PF-0001	SHAFT - 5GPM	1
5	4135-TE-0001	BOTTOM CHECK SEAT-5GPM	2
6	4142-TE-0002	TOP CHECK SEAT-5GPM REGULAR	2
7	4140-TE-0001	TOP CHECK PLUG-5GPM	2
8	2127-TE-0003	HEAD-5GPM FM	2
9	14200-NP-0001	Base Plate 30L	1
10	6520-TE-0001	SHUTTLE ADAPTER PLATE-5GPM	1
11	10071-PF-0009	THICK-WALL TUBING, 1/4"	2
12	10071-PF-0008	THIN-WALL TUBING, 1/4"	2
13	6030-TE-0001	1/8" NPT X 1/4" GRIPPER ELBOW	4
14	6070-TE-0001	1/4" GRIPPER AIR NUT	4
15	14510-TE-0002	5 GPM 1/2" Flaretek Fitting Assembly	2
16	4100-TE-0001	CHECK BALL- 1/2"	4
17	6080-KF-0001	1/4" GRIPPER	8
18	6080-TE-0001	1/4" FERRULE	8
19	10010-TE-0001	SHUTTLE SET SCREW	1
20	10010-TE-0004	ADAPTER PLATE SCREW	1
21	14400-TE-0002	SHUTTLE BODY AND SLEEVE	1
22	6530-TE-0001	SHUTTLE END CAP- 5GPM	2
23	6140-TE-0001	WHISPER MUFLER INSERT-5GPM	2
24	6560-CE-0001	CERAMIC SPOOL- 5 GPM	1
25	6150-TE-0001	WHISPER MUFLER 5GPM	2
26	6070-TE-0004	1/4" MALE GRIPPER NUT	4
27	10040-TE-0002	1/8" NPT Plug	3

<https://wkfluidhandling.com/ap-fm-series/>