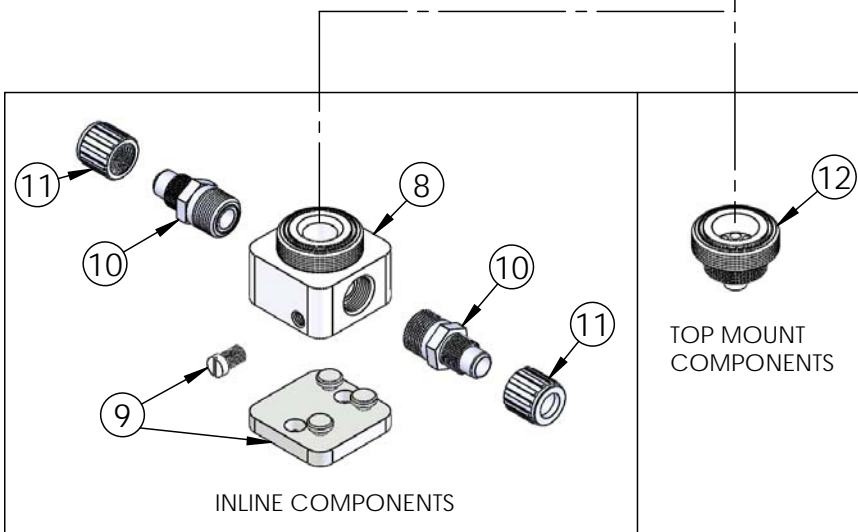
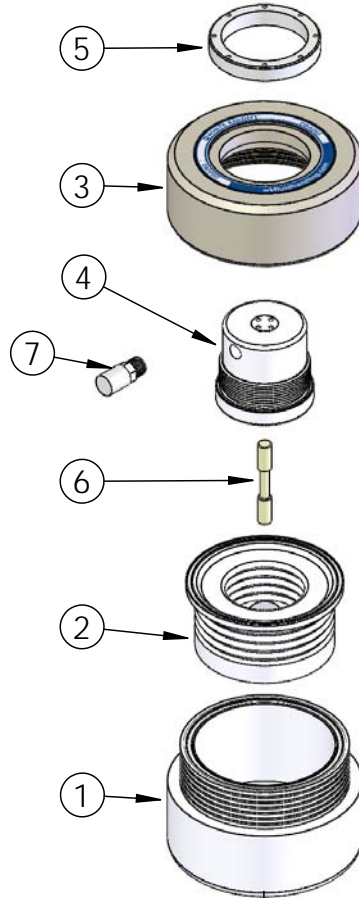


DBA060 Exploded View



DBA060 BILL OF MATERIALS

Item	Part	Description	Qty
1	9400-TE-0002	Body, Dampener	1
2	14300-MP-0033	Bellows Assembly	1
3	2127-EP-0037	Head, Dba060	1
4	14860-XX-0001	Pd Air Motor Assembly	1
5	9300-NP-0001	Ring, Retaining	1
6	6560-CE-0005	Spool	1
7	6110-PP-0004	Muffler	1
8	9100-TE-0009	Base, Inline, 060	1
9	14200-NP-0009	Baseplate Assembly	1
10	7200-PF-0006	Body, Flaretek®, 3/4"	2
11	7210-PF-0004	Nut, Flaretek®, 3/4"	2
12	9200-TE-0009	Adapter, Top Mount, 060	1

Fittings (Type, Size, Option)			Assemblies	Body Inlet Only (Nut not included)
Flaretek Compatible	1/2 in.	F08	14510-PF-0004	7200-PF-0005
	3/4 in.	F12	14510-PF-0005	7200-PF-0006
	1 in.	F16	14510-PF-0006	7200-PF-0007
	1-1/4 in.	F20	14510-PF-0007	7200-PF-0008
Tube Out	1/2 in.	T08	7120-PF-0004	
	3/4 in.	T12	7120-PF-0005	
	1 in.	T16	7120-PF-0006	
	1-1/4 in.	T20	7120-PF-0011	
Weldable	3/4 in.	W12	7300-PF-0003	
	1 in.	W16	7300-PF-0004	
Pillar S-300	3/8 in.	P06	14530-PF-0028	7400-TE-0036
	1/2 in.	P08	14530-PF-0003	7400-TE-0003
	3/4 in.	P12	14530-PF-0004	7400-TE-0004
	1 in.	P16	14530-PF-0005	7400-TE-0005
	1-1/4 in.	P20	14530-PF-0009	7400-TE-0012
FNPT	1/2 in.	N08	7100-TE-0006	
	3/4 in.	N12	7100-TE-0004	
	1 in.	N16	7100-TE-0008	
Synchro-Flare	1/2 in.	S08	14520-TE-0003	7010-TE-0005
	3/4 in.	S12	14520-TE-0004	7010-TE-0004
	1 in.	S16	14520-TE-0006	7010-TE-0006
PrimeLock	1/2 in.	L08	14570-PF-0003	7800-TE-0003
	3/4 in.	L12	14570-PF-0004	7800-TE-0004
	1 in.	L16	14570-PF-0005	7800-TE-0005
Plugged	1-1/4 in.	L20	14570-PF-0012	7800-TE-0012
		B00	7130-TE-0003	

<https://wkfluidhandling.com/dba-series/>