

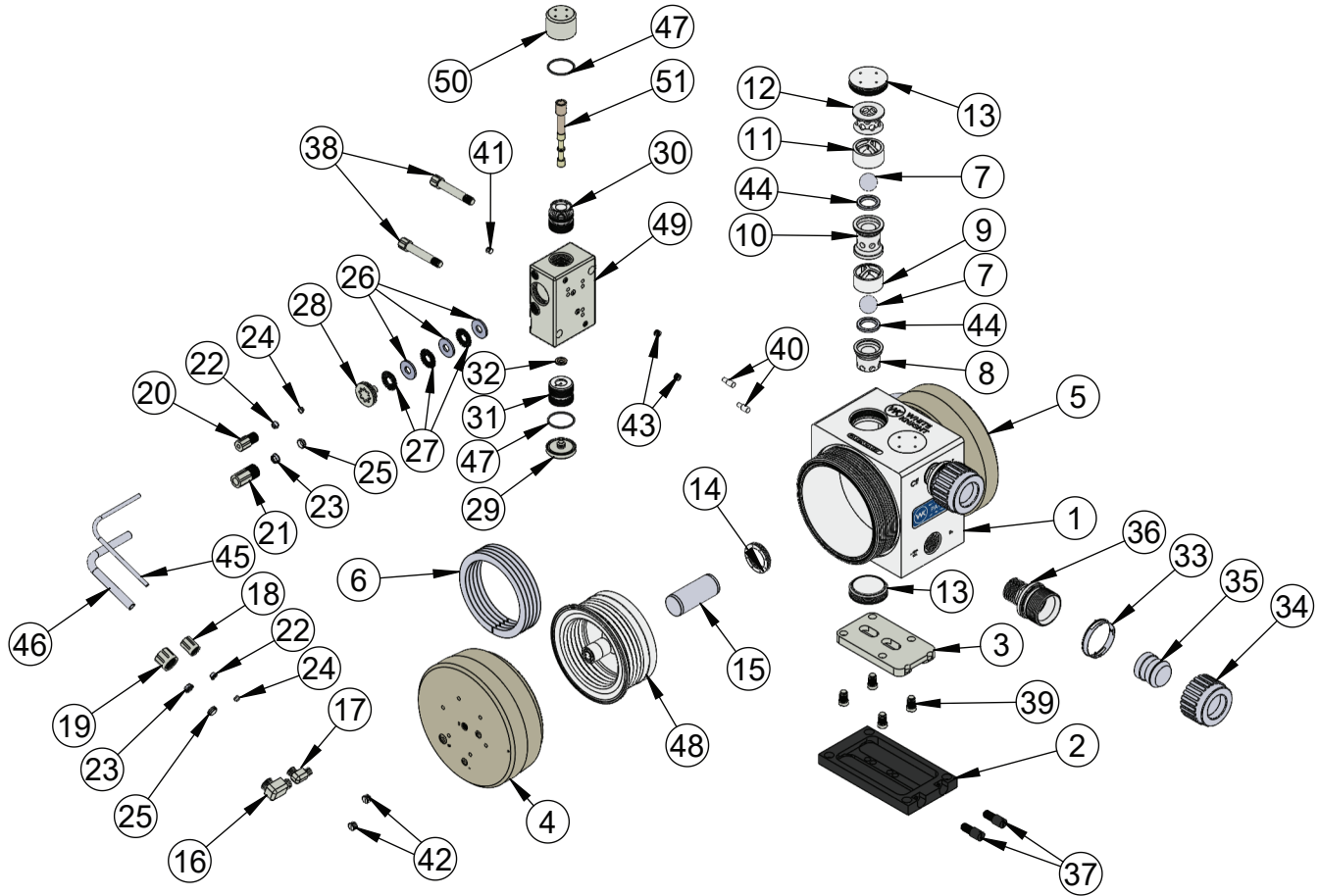


**WHITE KNIGHT®**

.....engineer approved™

# EXPLODED VIEW

## PA140 Exploded View



### PA140 BILL OF MATERIALS

Item	Part	Description	Qty
1	1125-TE-0039	Pump body	1
2	1146-BP-0010	Base plate, quick change	1
3	1146-NP-0052	Adapter plate	1
4	2127-EP-0016	Head, right	1
5	2127-EP-0017	Head, left	1
6	3132-PF-0001	Bellows spacer	10
7	4100-PF-0003	Check ball 1-1/8"	4
8	4137-TE-0020	Bottom wear seat/diffuser	2
9	4137-TE-0021	Bottom check cage	2
10	4137-TE-0022	Middle wear seat/diffuser	2
11	4137-TE-0023	Check cage, top/outlet	2
12	4137-TE-0024	Top diffuser	2
13	4140-TE-0012	Top check plug	4
14	5143-MP-0011	Shaft seal	2
15	5144-PF-0022	Shaft, solid, PFA	1
16	6020-NP-0004	3/8" NPT x 1/2" gripper elbow	2
17	6030-NP-0002	1/4" NPT x 1/4" tube grp elbow	2
18	6070-NP-0001	Nut, gripper, 1/4"	2
19	6070-NP-0003	1/2" female gripper nut	2
20	6070-NP-0004	1/4" male gripper nut	2
21	6070-NP-0007	1/2" male gripper nut	2
22	6080-KF-0001	1/4" gripper	4
23	6080-KF-0003	1/2" gripper	4
24	6080-TE-0001	1/4" ferrule	4
25	6080-TE-0003	1/2" ferrule	4
26	6140-FP-0004	Baffle porous poly	6
27	6140-PP-0002	Shuttle mesh	6
28	6150-NP-0006	Muffler cap	2
29	6530-NP-0005	Shuttle detent bottom cap	1
30	6530-TE-0007	Shuttle end plug with magnet detent	1
31	6530-TE-0008	Shuttle end plug, magnet detent with bumper	1
32	6570-PK-0006	Shuttle spool bumper	1
33	7400-PF-0020	1-1/2" Super Pillar 300 gage ring	2
34	7400-PF-0021	1-1/2" Super Pillar 300 nut	2
35	7400-PF-0022	1-1/2" Super Pillar 300 insert	2
36	7400-TE-0034	1.50 Pillar	2
37	10010-BP-0011	Base plate screw	2
38	10010-NP-0006	Set screw	2
39	10010-NP-0012	1/2-16 x .700 cap screw	4
40	10020-NP-0003	Shuttle pin	2
41	10040-TE-0002	1/8" NPT plug	1
42	10040-TE-0003	NPT plug - 1/4"	4
43	10040-TE-0016	1/8" NPT plug (.053 orifice)	2
44	10050-PF-0002	D-ring	4
45	10071-PF-0008	1/4" thick wall PFA tubing	2
46	10071-PF-0011	1/2" PFA tube	2
47	10080-VI-129-70	129 O-ring	2
48	14300-MP-0028	Shift bellows assembly	2
49	14400-NP-0009	Magnetic body & sleeve assembly	1
50	14440-XX-0001	Magnet detent shuttle cap assembly	1
51	14850-XX-0002	Magnet detent spool	1

<https://wkfluidhandling.com/pa-series/>

