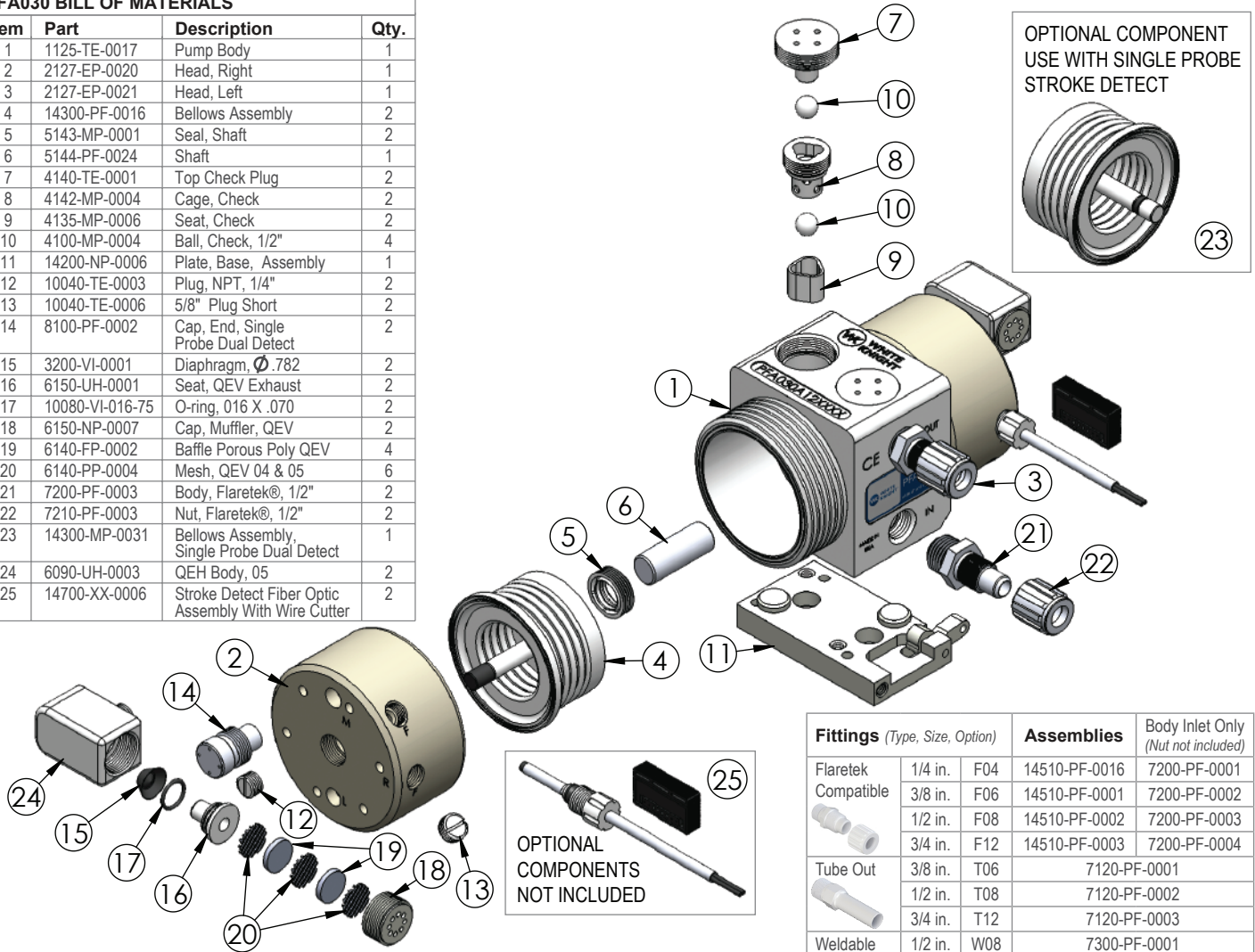


PFA030 Exploded View

PFA030 BILL OF MATERIALS			
Item	Part	Description	Qty.
1	1125-TE-0017	Pump Body	1
2	2127-EP-0020	Head, Right	1
3	2127-EP-0021	Head, Left	1
4	14300-PF-0016	Bellows Assembly	2
5	5143-MP-0001	Seal, Shaft	2
6	5144-PF-0024	Shaft	1
7	4140-TE-0001	Top Check Plug	2
8	4142-MP-0004	Cage, Check	2
9	4135-MP-0006	Seat, Check	2
10	4100-MP-0004	Ball, Check, 1/2"	4
11	14200-NP-0006	Plate, Base, Assembly	1
12	10040-TE-0003	Plug, NPT, 1/4"	2
13	10040-TE-0006	5/8" Plug Short	2
14	8100-PF-0002	Cap, End, Single Probe Dual Detect	2
15	3200-VI-0001	Diaphragm, Ø.782	2
16	6150-UH-0001	Seat, QEV Exhaust	2
17	10080-VI-016-75	O-ring, 016 X .070	2
18	6150-NP-0007	Cap, Muffler, QEV	2
19	6140-FP-0002	Baffle Porous Poly QEV	4
20	6140-PP-0004	Mesh, QEV 04 & 05	6
21	7200-PF-0003	Body, Flaretek®, 1/2"	2
22	7210-PF-0003	Nut, Flaretek®, 1/2"	2
23	14300-MP-0031	Bellows Assembly, Single Probe Dual Detect	1
24	6090-UH-0003	QEH Body, 05	2
25	14700-XX-0006	Stroke Detect Fiber Optic Assembly With Wire Cutter	2



Leak Detect		
Part	Description	
14600-XX-0009	LF0	15 ft fiber optic cable with no amplifier
14600-XX-0010	LF1	15 ft fiber optic cable with D10 amplifier
14600-XX-0011	LF2	25 ft fiber optic cable with no amplifier
14600-XX-0012	LF3	25 ft fiber optic cable with D10 amplifier
14600-XX-0031	LC0	15 ft conductivity cable
14600-XX-0040	LC1	25 ft conductivity cable

Stroke Detect		
Part	Description	
14700-XX-0021	SFS0	15 ft fiber optic cable with no amplifier SFS0
14700-XX-0022	SFS1	15 ft fiber optic cable with D10 amplifier SFS1
14700-XX-0023	SFS2	25 ft fiber optic cable with no amplifier SFS2
14700-XX-0024	SFS3	25 ft fiber optic cable with D10 amplifier SFS3
14700-XX-0025	SFD0	15 ft fiber optic cable with no amplifier SFD0
14700-XX-0026	SFD1	15 ft fiber optic cable with D10 amplifier SFD1
14700-XX-0027	SFD2	25 ft fiber optic cable with no amplifier SFD2
14700-XX-0028	SFD3	25 ft fiber optic cable with D10 amplifier SFD3

Fittings (Type, Size, Option)		Assemblies	Body Inlet Only (Nut not included)
Flaretek Compatible	1/4 in. F04	14510-PF-0016	7200-PF-0001
	3/8 in. F06	14510-PF-0001	7200-PF-0002
	1/2 in. F08	14510-PF-0002	7200-PF-0003
	3/4 in. F12	14510-PF-0003	7200-PF-0004
Tube Out	3/8 in. T06	7120-PF-0001	
	1/2 in. T08	7120-PF-0002	
	3/4 in. T12	7120-PF-0003	
Weldable	1/2 in. W08	7300-PF-0001	
	3/4 in. W12	7300-PF-0002	
Pillar S-300	1/4 in. P04	14530-PF-0025	7400-TE-0031
	3/8 in. P06	14530-PF-0012	7400-TE-0023
	1/2 in. P08	14530-PF-0001	7400-TE-0001
	3/4 in. P12	14530-PF-0002	7400-TE-0002
FNPT	1/4 in. N04	7100-TE-0001	
	3/8 in. N06	7100-TE-0002	
	1/2 in. N08	7100-TE-0003	
	3/4 in. N12	7100-TE-0007	
Synchro-Flare	3/8 in. S06	14520-TE-0009	7010-TE-0001
	1/2 in. S08	14520-TE-0001	7010-TE-0003
	3/4 in. S12	14520-TE-0002	7010-TE-0002
PrimeLock	1/4 in. L04	14570-PF-0013	7800-TE-0013
	3/8 in. L06	14570-PF-0014	7800-TE-0014
	1/2 in. L08	14570-PF-0001	7800-TE-0001
	3/4 in. L12	14570-PF-0002	7800-TE-0002
Plugged	B00	7130-TE-0001	

<https://wkfluidhandling.com/pfa-series/>