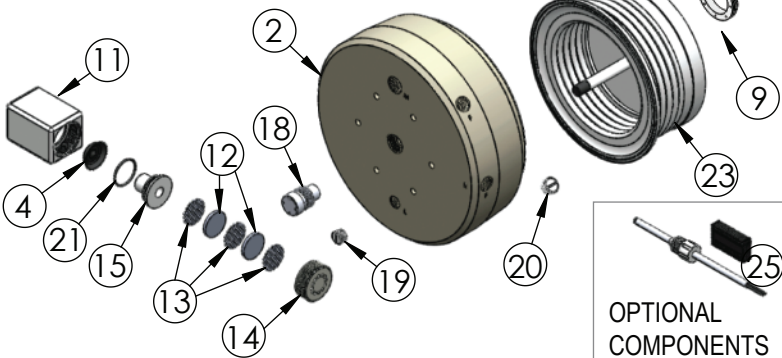
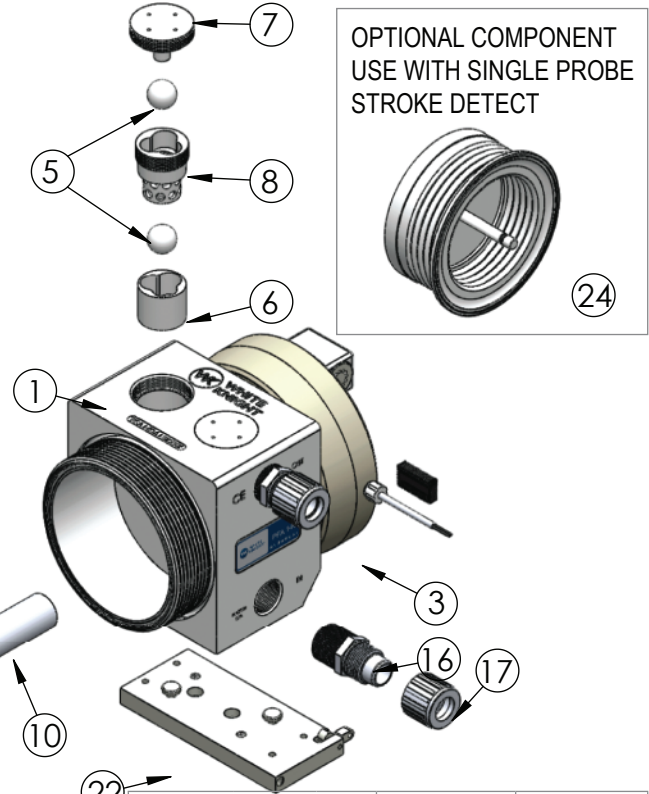




## PFA140 Exploded View

PFA140 BILL OF MATERIALS			
Item	Part	Description	Qty.
1	1125-TE-0018	Pump Body	1
2	2127-EP-0026	Head, Right	1
3	2127-EP-0027	Head, Left	1
4	3200-VI-0002	Diaphragm, Ø 1.190	2
5	4100-MP-0003	1-1/8" Check Ball	4
6	4135-MP-0004	Hi-flow Bottom Check Seat	2
7	4140-TE-0004	Check Plug	2
8	4142-MP-0003	Hi-flow Top Check Cage	2
9	5143-MP-0011	Shaft Seal	2
10	5144-PF-0022	Shaft	1
11	6090-UH-0004	QEV Body, 07	2
12	6140-FP-0001	Baffle Porous Poly QEV	4
13	6140-PP-0005	QEV Mesh, 06 & 07	6
14	6150-NP-0008	QEV Muffler Cap	2
15	6150-UH-0002	QEV Exhaust Seat	2
16	7200-PF-0010	1" Flaretek® Body	2
17	7210-PF-0005	1" Flaretek® Nut	2
18	8100-PF-0002	Cap, End, Single Probe Dual Detect	2
19	10040-TE-0003	1/4" NPT Plug	2
20	10040-TE-0006	5/8" Plug Short	2
21	10080-VI-023-75	O-ring, 023 X .070	2
22	14200-NP-0007	Base Plate Assembly	1
23	14300-MP-0029	Bellows Assembly, Dual Probe Single Detect	2
24	14300-MP-0036	Bellows Assembly, Single Probe Dual Detect	1
25	14700-XX-0006	Stroke Detect Fiber Optic Assembly With Wire Cutter	2



Leak Detect		
Part	Description	
14600-XX-0009	LF0	15 ft fiber optic cable with no amplifier
14600-XX-0010	LF1	15 ft fiber optic cable with D10 amplifier
14600-XX-0011	LF2	25 ft fiber optic cable with no amplifier
14600-XX-0012	LF3	25 ft fiber optic cable with D10 amplifier
14600-XX-0031	LC0	15 ft conductivity cable
14600-XX-0040	LC1	25 ft conductivity cable

Stroke Detect		
Part	Description	
14700-XX-0021	SFS0	15 ft fiber optic cable with no amplifier SFS0
14700-XX-0022	SFS1	15 ft fiber optic cable with D10 amplifier SFS1
14700-XX-0023	SFS2	25 ft fiber optic cable with no amplifier SFS2
14700-XX-0024	SFS3	25 ft fiber optic cable with D10 amplifier SFS3
14700-XX-0025	SFD0	15 ft fiber optic cable with no amplifier SFD0
14700-XX-0026	SFD1	15 ft fiber optic cable with D10 amplifier SFD1
14700-XX-0027	SFD2	25 ft fiber optic cable with no amplifier SFD2
14700-XX-0028	SFD3	25 ft fiber optic cable with D10 amplifier SFD3

Fittings (Type, Size, Option)		Assemblies	Body Inlet Only (Nut not included)
Flaretek Compatible	1/2 in. F08	14510-PF-0011	7200-PF-0015
	3/4 in. F12	14510-PF-0008	7200-PF-0009
	1 in. F16	14510-PF-0009	7200-PF-0010
	1-1/4 in. F20	14510-PF-0010	7200-PF-0011
Tube Out	3/4 in. T12		7120-PF-0007
	1 in. T16		7120-PF-0008
	1-1/4 in. T20		7120-PF-0009
	1-1/2 in. T24		7120-PF-0010
Weldable	3/4 in. W12		7300-PF-0005
	1 in. W16		7300-PF-0006
Pillar S-300	1/2 in. P08	14530-PF-0011	7400-TE-0019
	3/4 in. P12	14530-PF-0006	7400-TE-0006
	1 in. P16	14530-PF-0007	7400-TE-0007
	1-1/4 in. P20	14530-PF-0008	7400-TE-0008
	1-1/2 in. P24	14530-PF-0026	7400-TE-0035
FNPT	3/4 in. N12		7100-TE-0009
	1 in. N16		7100-TE-0005
	1-1/4 in. N20		7100-TE-0010
Synchro-Flare	3/4 in. S12	14520-TE-0008	7010-TE-0007
	1 in. S16	14520-TE-0007	7010-TE-0009
PrimeLock	3/4 in. L12	14570-PF-0006	7800-TE-0006
	1 in. L16	14570-PF-0007	7800-TE-0007
	1-1/4 in. L20	14570-PF-0008	7800-TE-0008
Plugged	B00	7130-TE-0005	7130-TE-0005

<https://wkfluidhandling.com/pfa-series/>

