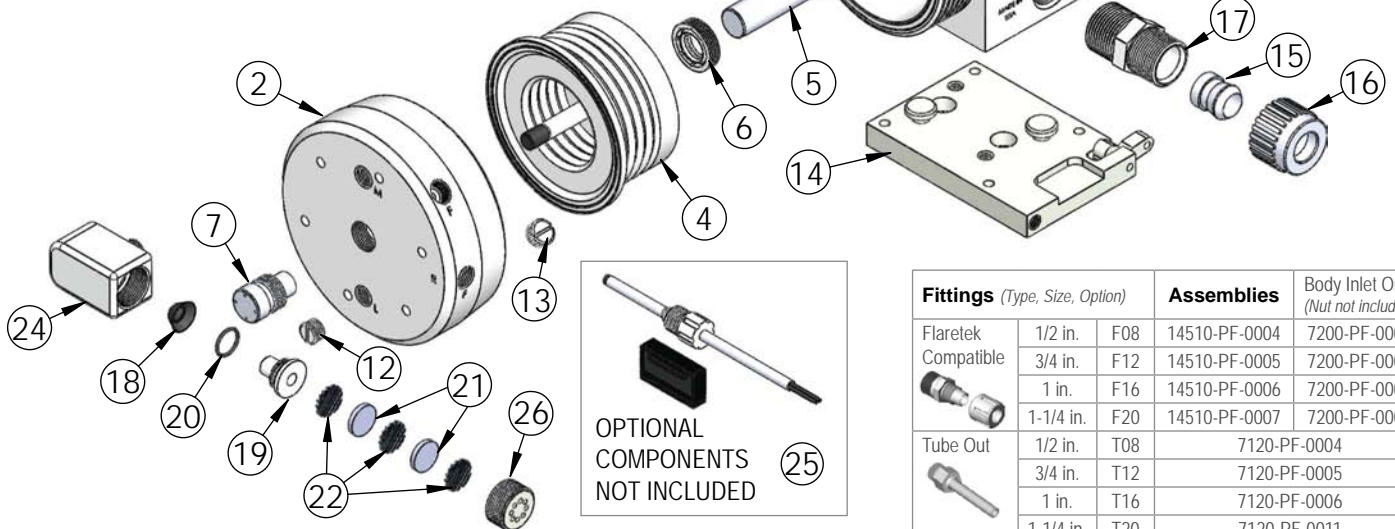


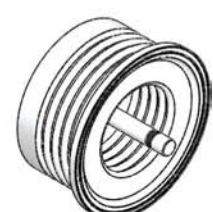
PFH060 Exploded View

PFH060 BILL OF MATERIALS

Item	Part	Description	Qty
1	1125-TE-0016	Pump Body	1
2	2127-TE-0025	Head, Right	1
3	2127-TE-0026	Head, Left	1
4	14300-PF-0015	Bellows Assembly, Dual Probe Single Detect	2
5	5144-PF-0023	Shaft	1
6	5143-MP-0012	Seal, Shaft	2
7	8100-PF-0002	Cap, End, Single Probe Dual Detect	2
8	4140-TE-0002	Top Check Plug	2
9	4135-MP-0001	Seat, Check, Bottom, Hi-flow	2
10	4142-MP-0001	Cage, Check, Top, Hi-flow	2
11	4100-MP-0001	Ball, Check, 3/4"	4
12	10040-TE-0003	Plug, Npt, 1/4"	2
13	10040-TE-0006	5/8" Plug Short	2
14	14200-NP-0005	Plate, Base, Assembly	1
15	7400-PF-0002	Insert, S-300®	2
16	7400-PF-0006	Nut, S-300®, 3/4"	2
17	7400-TE-0004	Body, S-300®, 3/4"	2
18	3200-VI-0001	Diaphragm, Ø.782	2
19	6150-UH-0001	Seat, QEV Exhaust	2
20	10080-VI-016-75	O-ring, 016 X .070	2
21	6140-FP-0002	Baffle Porous Poly L QEV	4
22	6140-PP-0004	Mesh, Qev 04 & 05	6
23	14300-MP-0030	Bellows Assembly, Single Probe Dual Detect	1
24	6090-UH-0003	QEH Body, 05	2
25	14700-XX-0006	Stroke Detect Fiber Optic Assembly With Wire Cutter	2
26	6150-NP-0007	Cap, Muffler, Qev 30I & 60I	2



OPTIONAL COMPONENT
USE WITH SINGLE PROBE
STROKE DETECT



(23)

OPTIONAL
COMPONENTS
NOT INCLUDED



(25)

Fittings (Type, Size, Option)			Assemblies	Body Inlet Only (Nut not included)
Synchro-Flare	1/2 in.	S08	14520-TE-0003	7010-TE-0005
	3/4 in.	S12	14520-TE-0004	7010-TE-0004
	1 in.	S16	14520-TE-0006	7010-TE-0006
PrimeLock	1/2 in.	L08	14570-PF-0003	7800-TE-0003
	3/4 in.	L12	14570-PF-0004	7800-TE-0004
	1 in.	L16	14570-PF-0005	7800-TE-0005
	1-1/4 in.	L20	14570-PF-0012	7800-TE-0012
Plugged		B00		7130-TE-0003

Fittings (Type, Size, Option)		Assemblies	Body Inlet Only (Nut not included)
Flaretek Compatible	1/2 in. F08	14510-PF-0004	7200-PF-0005
	3/4 in. F12	14510-PF-0005	7200-PF-0006
	1 in. F16	14510-PF-0006	7200-PF-0007
	1-1/4 in. F20	14510-PF-0007	7200-PF-0008
Tube Out	1/2 in. T08		7120-PF-0004
	3/4 in. T12		7120-PF-0005
	1 in. T16		7120-PF-0006
	1-1/4 in. T20		7120-PF-0011
Weldable	3/4 in. W12		7300-PF-0003
	1 in. W16		7300-PF-0004
Pillar S-300	3/8 in. P06	14530-PF-0028	7400-TE-0036
	1/2 in. P08	14530-PF-0003	7400-TE-0003
	3/4 in. P12	14530-PF-0004	7400-TE-0004
	1 in. P16	14530-PF-0005	7400-TE-0005
	1-1/4 in. P20	14530-PF-0009	7400-TE-0012
FNPT	1/2 in. N08		7100-TE-0006
	3/4 in. N12		7100-TE-0004
	1 in. N16		7100-TE-0008

<https://wkfluidhandling.com/pfh-series/>