

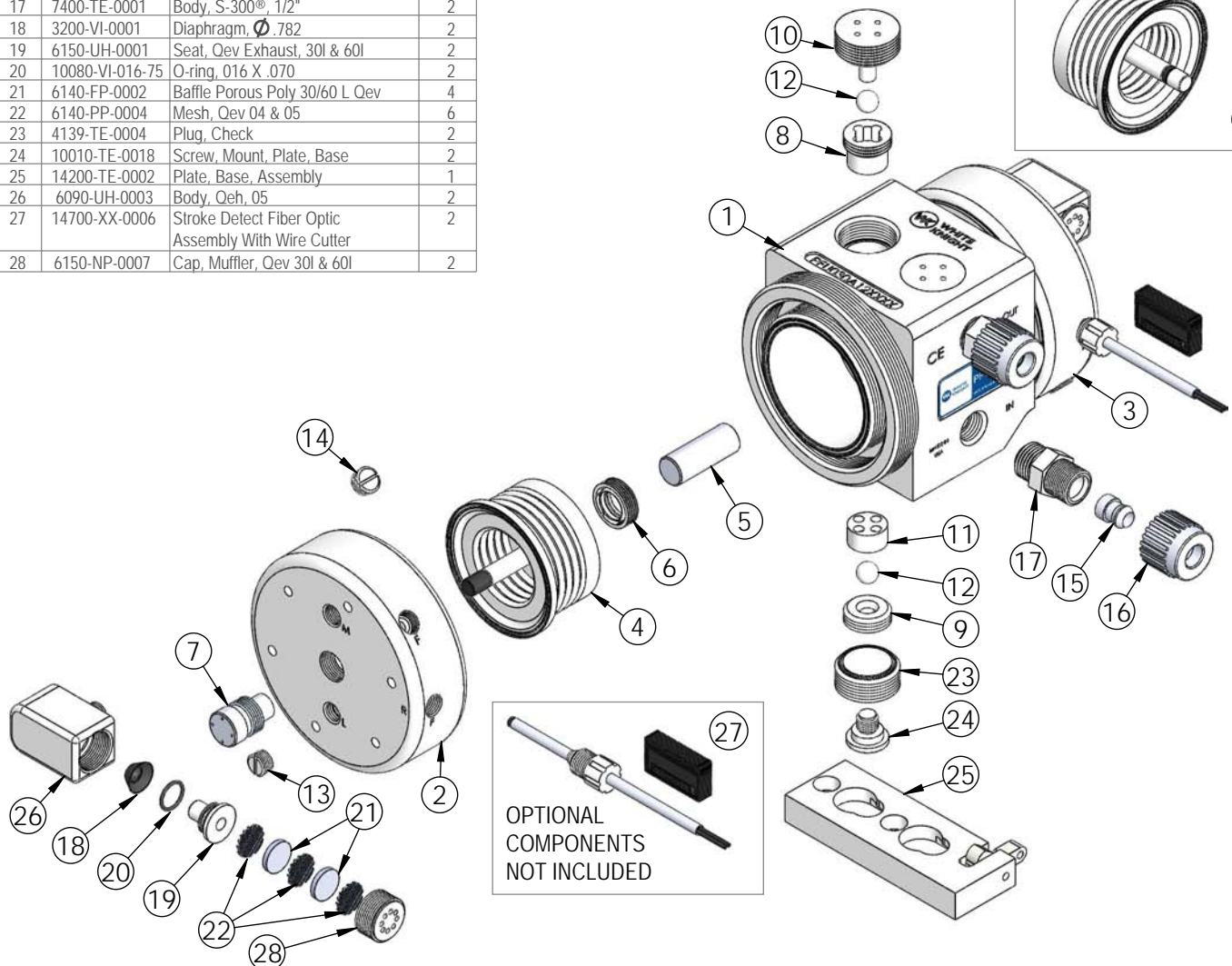
PFU030 Exploded View

PFU030 BILL OF MATERIALS			
Item	Part	Description	Qty
1	1125-TE-0020	Body, Pump	1
2	2127-TE-0015	Head, Right	1
3	2127-TE-0016	Head, Left	1
4	14300-MP-0027	Bellows Assembly, 30I, Fo, Dual Probe Single Detect	2
5	14320-PF-0001	Shaft	1
6	5143-MP-0001	Seal, Shaft	2
7	8100-PF-0002	Cap, End, Single Probe Dual Detect	2
8	4142-MP-0005	Seat, Check	2
9	4135-MP-0007	Seat, Check	2
10	4140-TE-0005	Plug, Check	2
11	4137-TE-0001	Cage, Check	2
12	4100-MP-0004	Ball, Check, 1/2"	4
13	10040-TE-0003	Plug, Npt, 1/4"	2
14	10040-TE-0006	5/8" Plug Short	2
15	7400-PF-0001	Insert, S-300®, 1/2"	2
16	7400-PF-0005	Nut, S-300®, 1/2"	2
17	7400-TE-0001	Body, S-300®, 1/2"	2
18	3200-VI-0001	Diaphragm, Ø .782	2
19	6150-UH-0001	Seat, Qev Exhaust, 30I & 60I	2
20	10080-VI-016-75	O-ring, 016 X .070	2
21	6140-FP-0002	Baffle Porous Poly 30/60 L Qev	4
22	6140-PP-0004	Mesh, Qev 04 & 05	6
23	4139-TE-0004	Plug, Check	2
24	10010-TE-0018	Screw, Mount, Plate, Base	2
25	14200-TE-0002	Plate, Base, Assembly	1
26	6090-UH-0003	Body, Qev, 05	2
27	14700-XX-0006	Stroke Detect Fiber Optic Assembly With Wire Cutter	2
28	6150-NP-0007	Cap, Muffler, Qev 30I & 60I	2

Fittings (Type, Size, Option)	Assemblies	Body Inlet Only (Nut not included)
Flaretek	1/4 in. F04	14510-PF-0016 7200-PF-0001
Compatible	3/8 in. F06	14510-PF-0001 7200-PF-0002
	1/2 in. F08	14510-PF-0002 7200-PF-0003
	3/4 in. F12	14510-PF-0003 7200-PF-0004
Pillar S-300	1/8 in. P02	TBD 7400-TE-0036
	1/4 in. P04	14530-PF-0025 7400-TE-0031
	3/8 in. P06	14530-PF-0012 7400-TE-0023
	1/2 in. P08	14530-PF-0001 7400-TE-0001
	3/4 in. P12	14530-PF-0002 7400-TE-0002
Synchro-Flare	3/8 in. S06	14520-TE-0009 7010-TE-0001
	1/2 in. S08	14520-TE-0001 7010-TE-0003
	3/4 in. S12	14520-TE-0002 7010-TE-0002
PrimeLock	1/2 in. L08	14570-PF-0001 7800-TE-0001
	3/4 in. L12	14570-PF-0002 7800-TE-0002

Fittings (Type, Size, Option)	Assemblies
Tube Out	3/8 in. T06 7120-PF-0001
	1/2 in. T08 7120-PF-0002
	3/4 in. T12 7120-PF-0003
Weldable	1/2 in. W08 7300-PF-0001
	3/4 in. W12 7300-PF-0002
FNPT	1/4 in. N04 7100-TE-0001
	3/8 in. N06 7100-TE-0002
	1/2 in. N08 7100-TE-0003
	3/4 in. N12 7100-TE-0007
Plugged	B00 7130-TE-0001

OPTIONAL COMPONENT
USE WITH SINGLE PROBE
STROKE DETECT



<https://wkfluidhandling.com/pfu-series/>