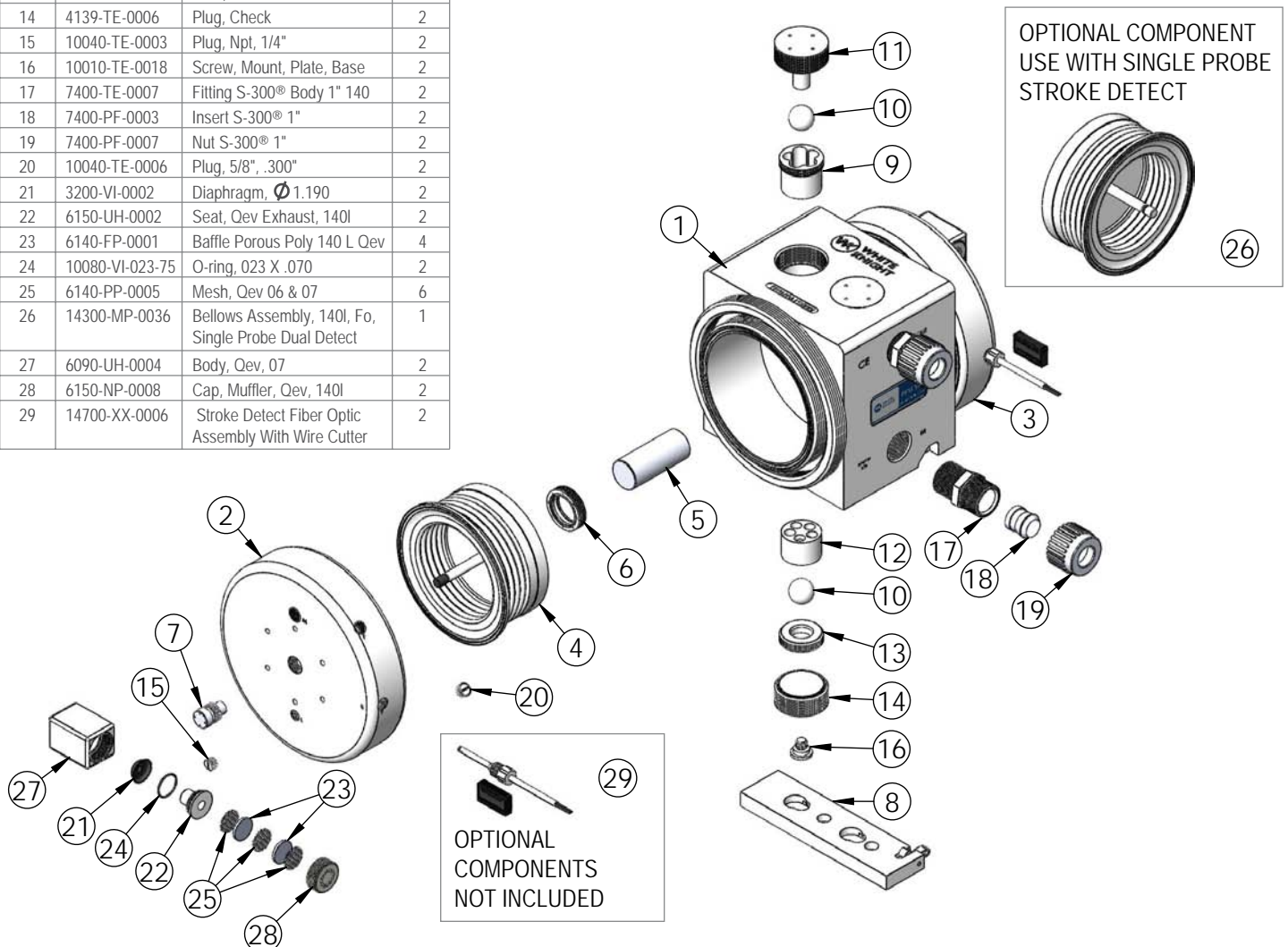


PFU140 Exploded View

PFU140 BILL OF MATERIALS			
Item	Part	Description	Qty
1	1125-TE-0022	Body, Pump	1
2	2127-TE-0039	Head, Right	1
3	2127-TE-0040	Head, Left	1
4	14300-MP-0029	Bellows Assembly, 140I, Fo, Dual Probe Single Detect	2
5	14320-PF-0003	Shaft	1
6	5143-MP-0005	Seal, Shaft	2
7	8100-PF-0002	Cap, End, Single Probe Dual Detect	2
8	14200-TE-0004	Plate, Base, Assembly	1
9	4142-MP-0007	Seat, Check, Top	2
10	4100-MP-0003	Ball, Check, 1-1/8"	4
11	4140-TE-0007	Plug, Check	2
12	4137-TE-0003	Cage, Check	2
13	4135-MP-0009	Seat, Check	2
14	4139-TE-0006	Plug, Check	2
15	10040-TE-0003	Plug, Npt, 1/4"	2
16	10010-TE-0018	Screw, Mount, Plate, Base	2
17	7400-TE-0007	Fitting S-300® Body 1" 140	2
18	7400-PF-0003	Insert S-300® 1"	2
19	7400-PF-0007	Nut S-300® 1"	2
20	10040-TE-0006	Plug, 5/8", .300"	2
21	3200-VI-0002	Diaphragm, Ø 1.190	2
22	6150-UH-0002	Seat, Qev Exhaust, 140I	2
23	6140-FP-0001	Baffle Porous Poly 140 L Qev	4
24	10080-VI-023-75	O-ring, 023 X .070	2
25	6140-PP-0005	Mesh, Qev 06 & 07	6
26	14300-MP-0036	Bellows Assembly, 140I, Fo, Single Probe Dual Detect	1
27	6090-UH-0004	Body, Qev, 07	2
28	6150-NP-0008	Cap, Muffler, Qev, 140I	2
29	14700-XX-0006	Stroke Detect Fiber Optic Assembly With Wire Cutter	2

Fittings (Type, Size, Option)			Assemblies	Body Inlet Only (Nut not included)
Flaretek Compatible	1/2 in.	F08	14510-PF-0011	7200-PF-0015
	3/4 in.	F12	14510-PF-0008	7200-PF-0009
	1 in.	F16	14510-PF-0009	7200-PF-0010
Pillar S-300	1-1/4 in.	F20	14510-PF-0010	7200-PF-0011
	1/2 in.	P08	14530-PF-0011	7400-TE-0019
	3/4 in.	P12	14530-PF-0006	7400-TE-0006
Synchrono-Flare	1 in.	P16	14530-PF-0007	7400-TE-0007
	1-1/4 in.	P20	14530-PF-0008	7400-TE-0008
	1-1/2 in.	P24	14530-PF-0026	7400-TE-0035
PrimeLock	1/2 in.	S08	TBD	7010-TE-0008
	3/4 in.	S12	14520-TE-0008	7010-TE-0007
	1 in.	S16	14520-TE-0007	7010-TE-0009
PrimeLock	3/4 in.	L12	14570-PF-0006	7800-TE-0006
	1 in.	L16	14570-PF-0007	7800-TE-0007
	1-1/4 in.	L20	TBD	7800-TE-0008

Fittings (Type, Size, Option)			Assemblies
Tube Out	3/4 in.	T12	7120-PF-0007
	1 in.	T16	7120-PF-0008
	1-1/4 in.	T20	7120-PF-0009
	1-1/2 in.	T24	7120-PF-0010
Weldable	3/4 in.	W12	7300-PF-0005
	1 in.	W16	7300-PF-0006
FNPT	3/4 in.	N12	7100-TE-0009
	1 in.	N16	7100-TE-0005
	1-1/4 in.	N20	7100-TE-0010
Plugged		B00	7130-TE-0005



<https://wkfluidhandling.com/pfu-series/>