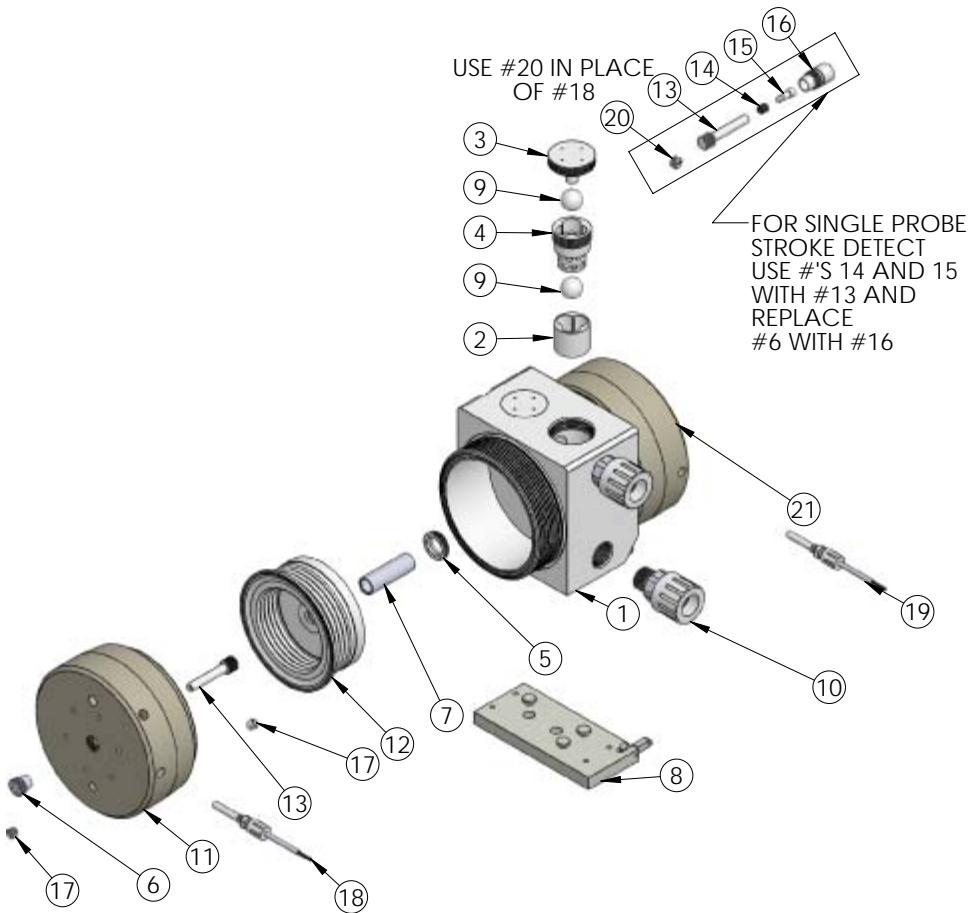


PLF120 Exploded View

PLF120 pumps are discontinued legacy models. We recommend users consider PFA140 pumps, which provide better performance, increased flow rates, higher pressure capabilities, improved reliability, extended pump life and warranty periods, as well as shorter lead times. Details: <https://wkfluidhandling.com/pfa-series/>
Discontinued 31 Dec 2015. Supported to 31 Dec 2020.



ITEM NO.	PART NUMBER	DESCRIPTION	QTY.
1	1125-TE-0012	BODY-PL120	1
2	4135-TE-0010	BOTTOM CHECK SEAT-PL120 REGULAR	2
3	4140-TE-0004	TOP CHECK PLUG-30GPM	2
4	4142-TE-0005	TOP CHECK SEAT-30GPM REGULAR	2
5	5143-TE-0002	SHAFT SEAL -20GPM & 30 GPM	2
6	8100-PF-0005	DUAL PROBE, SINGLE DETECT END CAP	2
7	5144-PF-0004	SHAFT -30GPM	1
8	14200-NP-0004	30gpm/ 120/140L base plate assembly	1
9	4100-TE-0004	CHECK BALL- 1-1/8"	4
10	14510-PF-0007	1-1/4 FLARETEK FITTING ASSEMBLY	2
11	2127-EP-0009	HEAD-PLF120 RIGHT	1
12	3130-MP-0020	BELLOWS- 120 PLF	2
13	8140-TE-0003	TARGET STEM	3
14	8160-BP-0002	TARGET BLANK	1
15	8150-TE-0002	TARGET EXTENSION	1
16	8100-PF-0003	SINGLE PROBE, DUAL DETECT ENDCAP	1
17	10040-TE-0003	NPT PLUG - 1/4"	4
18	14700-XX-0005	FIBER OPTIC STROKE DETECT ASSEMBLY (SINGLE PROBE DETECT MODE)	1
19	14700-XX-0005	FIBER OPTIC DETECT ASSEMBLY (DUAL PROBE STROKE DETECT MODE). REPLACE WITH A 5/8" NPT PLUG WHEN NOT IN.	1
20	10040-TE-0006	PLUG, 5/8", .300"	1
21	2127-EP-0032	HEAD-PLF120 LEFT	1

<https://wkfluidhandling.com/plf-series/>