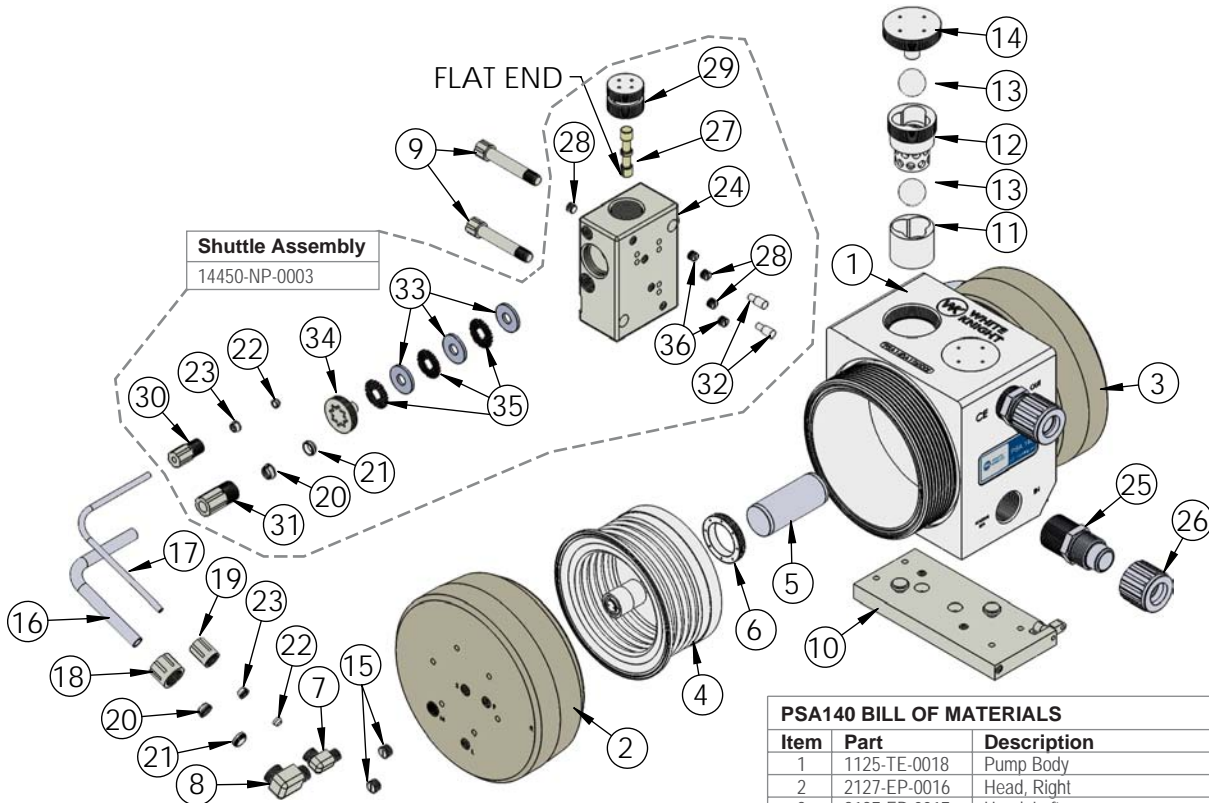




## PSA140 Exploded View



PSA140 BILL OF MATERIALS			
Item	Part	Description	Qty
1	1125-TE-0018	Pump Body	1
2	2127-EP-0016	Head, Right	1
3	2127-EP-0017	Head, Left	1
4	14300-MP-0028	Bellows Assembly	2
5	5144-PF-0022	Shaft	1
6	5143-MP-0011	Shaft Seal	2
7	6030-NP-0002	Gripper Elbow, 1/4" NPT x 1/4"	2
8	6020-NP-0004	3/8" NPT x 1/2" Elbow	2
9	10010-NP-0006	Shuttle Mount Screw	2
10	14200-NP-0007	Base Plate Assembly	1
11	4135-MP-0004	Bottom Check Seat, Hi-flow	2
12	4142-MP-0003	Top Check Cage, Hi-flow	2
13	4100-MP-0003	1-1/8" Check Ball	4
14	4140-TE-0004	Check Plug	2
15	10040-TE-0003	1/4" NPT Plug	4
16	10071-PF-0011	1/2" Tubing	2
17	10071-PF-0008	1/4" Tubing, Thick Wall	2
18	6070-NP-0003	1/2" Female Gripper Nut	2
19	6070-NP-0001	1/4" Female Gripper Nut	2
20	6080-KF-0003	Gripper, 1/2"	4
21	6080-TE-0003	Ferrule, 1/2"	4
22	6080-TE-0001	Ferrule, 1/4"	4
23	6080-KF-0001	Gripper, 1/4"	4
24	14400-NP-0005	Body, Shuttle with Sleeve	1
25	7200-PF-0010	1" Flaretek® Body	2
26	7210-PF-0005	1" Flaretek® Nut	2
27	6560-CE-0003	Spool	1
28	10040-TE-0002	1/8" NPT Plug	3
29	6530-TE-0003	Shuttle End Cap	2
30	6070-NP-0004	1/4" Male Gripper Nut	2
31	6070-NP-0007	1/2" Male Gripper Nut	2
32	10020-NP-0003	Shuttle Alignment Pin	2
33	6140-FP-0004	Baffle	6
34	6150-NP-0006	Muffler Cap	2
35	6140-PP-0002	Baffle Spacer	6
36	10040-TE-0016	1/8" NPT Vent Plug	2

Fittings (Type, Size, Option)		Assemblies	Body Inlet Only (Nut not included)
	1/2 in. F08	14510-PF-0011	7200-PF-0015
	3/4 in. F12	14510-PF-0008	7200-PF-0009
	1 in. F16	14510-PF-0009	7200-PF-0010
	1-1/4 in. F20	14510-PF-0010	7200-PF-0011
	3/4 in. T12		7120-PF-0007
	1 in. T16		7120-PF-0008
	1-1/4 in. T20		7120-PF-0009
	1-1/2 in. T24		7120-PF-0010
	3/4 in. W12		7300-PF-0005
	1 in. W16		7300-PF-0006
	1/2 in. P08	14530-PF-0011	7400-TE-0019
	3/4 in. P12	14530-PF-0006	7400-TE-0006
	1 in. P16	14530-PF-0007	7400-TE-0007
	1-1/4 in. P20	14530-PF-0008	7400-TE-0008
	1-1/2 in. P24	14530-PF-0026	7400-TE-0035
	3/4 in. N12		7100-TE-0009
	1 in. N16		7100-TE-0005
	1-1/4 in. N20		7100-TE-0010
	1/2 in. S08	TBD	7010-TE-0008
	3/4 in. S12	14520-TE-0008	7010-TE-0007
	1 in. S16	14520-TE-0007	7010-TE-0009
	3/4 in. L12	14570-PF-0006	7800-TE-0006
	1 in. L16	14570-PF-0007	7800-TE-0007
	1-1/4 in. L20	7800-PF-0008	7800-TE-0008
Plugged	B00		7130-TE-0005

<https://wkfluidhandling.com/psa-series/>

