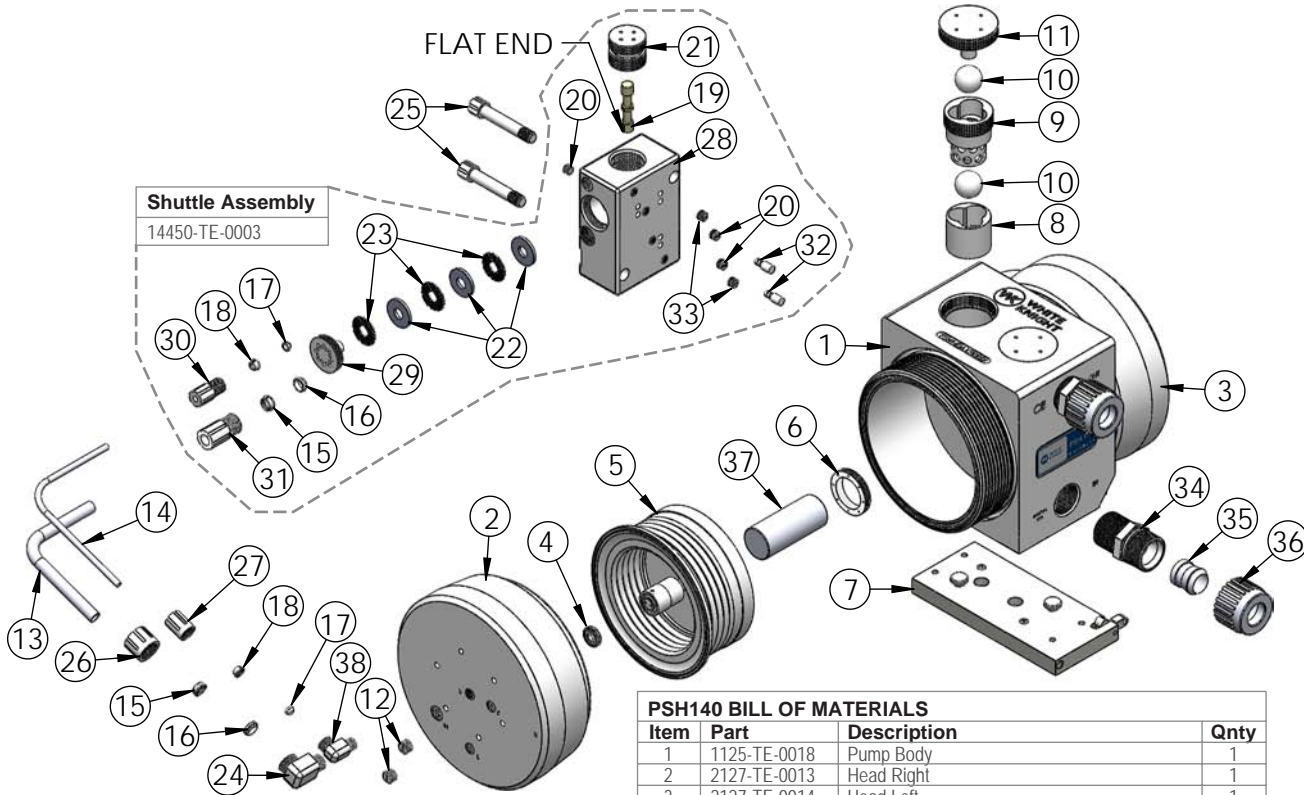




PSH140 Exploded View



Fittings (Type, Size, Option)			Assemblies	Body Inlet Only (Nut not included)
	1/2 in.	F08	14510-PF-0011	7200-PF-0015
	3/4 in.	F12	14510-PF-0008	7200-PF-0009
	1 in.	F16	14510-PF-0009	7200-PF-0010
	1-1/4 in.	F20	14510-PF-0010	7200-PF-0011
	3/4 in.	T12	7120-PF-0007	
	1 in.	T16	7120-PF-0008	
	1-1/4 in.	T20	7120-PF-0009	
	1-1/2 in.	T24	7120-PF-0010	
	3/4 in.	W12	7300-PF-0005	
	1 in.	W16	7300-PF-0006	
	1/2 in.	P08	14530-PF-0011	7400-TE-0019
	3/4 in.	P12	14530-PF-0006	7400-TE-0006
	1 in.	P16	14530-PF-0007	7400-TE-0007
	1-1/4 in.	P20	14530-PF-0008	7400-TE-0008
	1-1/2 in.	P24	14530-PF-0026	7400-TE-0035
	3/4 in.	N12	7100-TE-0009	
	1 in.	N16	7100-TE-0005	
	1-1/4 in.	N20	7100-TE-0010	
	1/2 in.	S08	TBD	7010-TE-0008
	3/4 in.	S12	14520-TE-0008	7010-TE-0007
	1 in.	S16	14520-TE-0007	7010-TE-0009
	3/4 in.	L12	14570-PF-0006	7800-TE-0006
	1 in.	L16	14570-PF-0007	7800-TE-0007
	1-1/4 in.	L20	7800-PF-0008	7800-TE-0008
Plugged		B00	7130-TE-0005	

Item	Part	Description	Qty
1	1125-TE-0018	Pump Body	1
2	2127-TE-0013	Head Right	1
3	2127-TE-0014	Head Left	1
4	3133-TE-0006	Seat, Head, Shift	2
5	14300-MP-0028	Bellows, Assembly	2
6	5143-MP-0011	Seal, Shaft	2
7	14200-NP-0007	Plate, Base, Assembly	1
8	4135-MP-0004	Seat, Check, Bottom, Hi-flow	2
9	4142-MP-0003	Cage, Check, Top, Hi-flow	2
10	4100-MP-0003	Ball, Check, 1-1/8"	4
11	4140-TE-0004	Check Plug	2
12	10040-TE-0003	Plug, NPT, 1/4"	4
13	10071-PF-0011	Tubing, 1/2"	2
14	10071-PF-0008	Tubing, Thick Wall, 1/4"	2
15	6080-KF-0003	Gripper, 1/2"	4
16	6080-TE-0003	Ferrule, 1/2"	4
17	6080-TE-0001	Ferrule, 1/4"	4
18	6080-KF-0001	Gripper, 1/4"	4
19	6560-CE-0003	Shuttle Spool	1
20	10040-TE-0002	Plug, NPT, 1/8"	3
21	6530-TE-0003	Shuttle End Cap	2
22	6140-FP-0004	Baffle	6
23	6140-PP-0002	Spacer, Baffle	6
24	6020-TE-0005	Elbow Gripper 3/8 NPT x 1/2"	2
25	10010-TE-0016	Screw, Mount, Shuttle	2
26	6070-TE-0003	Nut Female Gripper 1/2"	2
27	6070-TE-0001	Female Gripper Nut, 1/4"	2
28	14400-TE-0011	Body, Shuttle With Sleeve	1
29	6150-TE-0017	Cap, Muffler	2
30	6070-TE-0004	Male Gripper Nut, 1/4"	2
31	6070-TE-0006	1/2" Male Gripper Nut	2
32	10020-TE-0004	Pin, Alignment, Shuttle	2
33	10040-TE-0015	Plug, Vent, NPT, 1/8"	2
34	7400-TE-0007	Fitting S-300® Body 1"	2
35	7400-PF-0003	Insert S-300® 1"	2
36	7400-PF-0007	Nut S-300® 1"	2
37	5144-PF-0022	Shaft	1
38	6030-TE-0005	Elbow, Gripper, 1/4" NPT x 1/4" with Bleed Hole	2

<https://wkfluidhandling.com/psH-series/>

