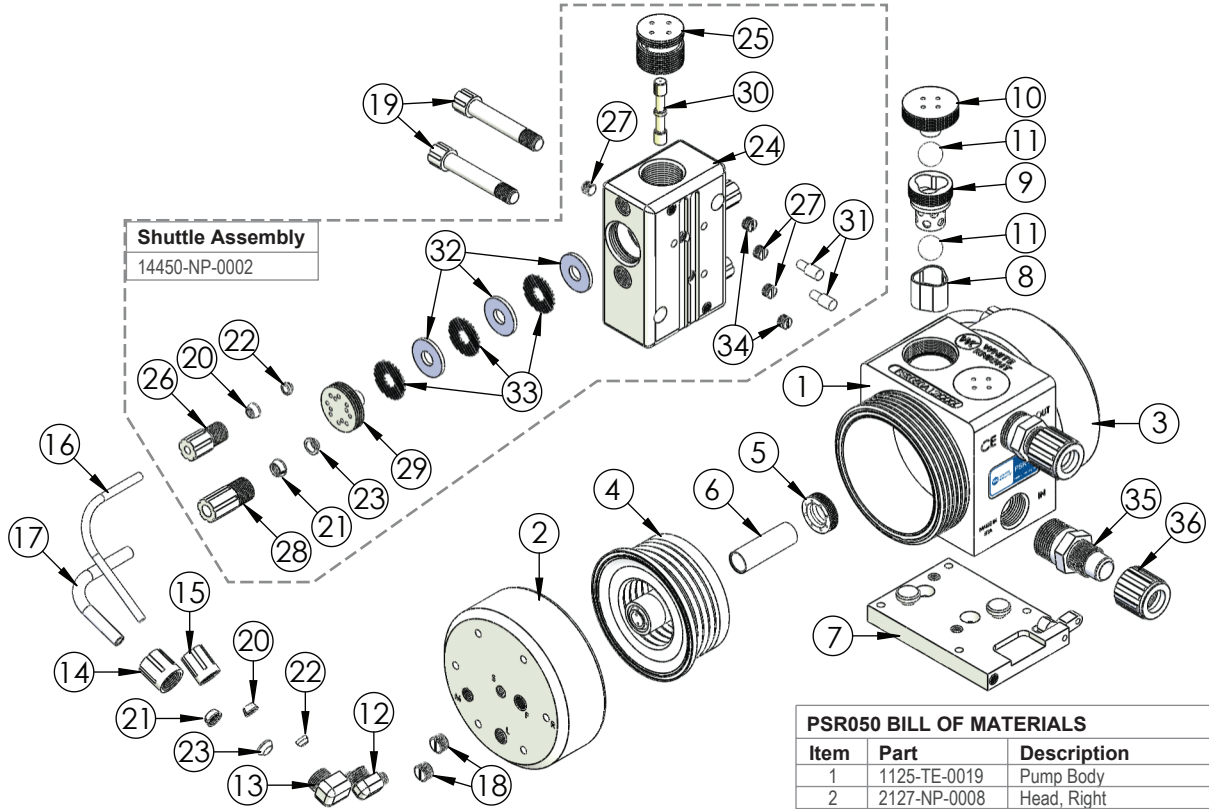




PSR050 Exploded View



Shuttle Assembly
14450-NP-0002

PSR050 BILL OF MATERIALS

Item	Part	Description	Qty
1	1125-TE-0019	Pump Body	1
2	2127-NP-0008	Head, Right	1
3	2127-NP-0009	Head, Left	1
4	14300-MP-0016	Bellows, Assembly	2
5	5143-TE-0003	Shaft Seal	2
6	5144-PF-0002	Shaft	1
7	14200-NP-0005	Plate, Base, Assembly	1
8	4135-MP-0001	Seat, Check, Bottom, Hi-flow	2
9	4142-MP-0001	Cage, Check, Top, Hi-flow	2
10	4140-TE-0002	Top Check Plug	2
11	4100-MP-0001	Ball, Check, 3/4"	4
12	6030-NP-0001	1/8" NPT x 1/4" Elbow	2
13	6020-NP-0001	1/4" NPT x 3/8" Elbow	2
14	6070-NP-0002	Nut, Gripper, Female, 3/8"	2
15	6070-NP-0001	Nut, Gripper, Female, 1/4"	2
16	10071-PF-0008	Tubing, Thick Wall, 1/4"	2
17	10071-PF-0010	3/8" PFA Tubing	2
18	10040-TE-0003	Plug, NPT, 1/4"	4
19	10010-NP-0006	Screw, Mount, Shuttle	2
20	6080-KF-0001	Gripper, 1/4"	4
21	6080-KF-0002	Gripper, 3/8"	4
22	6080-TE-0001	Ferrule, 1/4"	4
23	6080-TE-0002	Ferrule, 3/8"	4
24	14400-NP-0007	Body, Shuttle With Sleeve	1
25	6530-TE-0002	Shuttle End Plug	2
26	6070-NP-0004	Nut, Gripper, Male, 1/4"	2
27	10040-TE-0002	Plug, NPT, 1/8"	3
28	6070-NP-0006	Nut, Gripper, Male 3/8"	2
29	6150-NP-0005	Cap, Muffler	2
30	6560-CE-0002	Shuttle Spool	1
31	10020-NP-0003	Pin, Alignment, Shuttle	2
32	6140-FP-0004	Baffle Porous Poly	6
33	6140-PP-0002	Spacer, Baffle	6
34	10040-TE-0015	Plug, Vent, NPT, 1/8"	2
35	7200-PF-0006	Body, Flaretek®, 3/4"	2
36	7210-PF-0004	Nut, Flaretek®, 3/4"	2

Leak Detect	
Part	Description
14600-XX-0009	LF0 15 ft fiber optic cable with no amplifier
14600-XX-0010	LF1 15 ft fiber optic cable with D10 amplifier
14600-XX-0011	LF2 25 ft fiber optic cable with no amplifier
14600-XX-0012	LF3 25 ft fiber optic cable with D10 amplifier
14600-XX-0031	LC0 15 ft conductivity cable
14600-XX-0040	LC1 25 ft conductivity cable

Stroke Detect with Fiber Optics	
Part	Description
14700-XX-0017	SF0 15 ft fiber optic cable with no amplifier
14700-XX-0018	SF1 15 ft fiber optic cable with D10 amplifier
14700-XX-0019	SF2 25 ft fiber optic cable with no amplifier
14700-XX-0020	SF3 25 ft fiber optic cable with D10 amplifier

Stroke Detect with Pressure Switch	
Part	Description
14900-NP-0004	SP1 Single NPN Switch
14900-NP-0003	SP2 Dual NPN Switches
14900-NP-0001	SP4 Single PNP Switch
14900-NP-0002	SP5 Dual PNP Switches

Fittings (Type, Size, Option)		Assemblies		Body Inlet Only (Nut not included)
Flaretek Compatible	1/2 in. F08	14510-PF-0004	7200-PF-0005	
	3/4 in. F12	14510-PF-0005	7200-PF-0006	
	1 in. F16	14510-PF-0006	7200-PF-0007	
	1-1/4 in. F20	14510-PF-0007	7200-PF-0008	
Tube Out	1/2 in. T08	7120-PF-0004		
	3/4 in. T12	7120-PF-0005		
	1 in. T16	7120-PF-0006		
	1-1/4 in. T20	7120-PF-0011		
Weldable	3/4 in. W12	7300-PF-0003		
	1 in. W16	7300-PF-0004		
Pillar S-300	3/8 in. P06	14530-PF-0028	7400-TE-0036	
	1/2 in. P08	14530-PF-0003	7400-TE-0003	
	3/4 in. P12	14530-PF-0004	7400-TE-0004	
	1 in. P16	14530-PF-0005	7400-TE-0005	
	1-1/4 in. P20	14530-PF-0009	7400-TE-0012	
FNPT	1/2 in. N08	7100-TE-0006		
	3/4 in. N12	7100-TE-0004		
	1 in. N16	7100-TE-0008		
Synchro-Flare	1/2 in. S08	14520-TE-0003	7010-TE-0005	
	3/4 in. S12	14520-TE-0004	7010-TE-0004	
	1 in. S16	14520-TE-0006	7010-TE-0006	
PrimeLock	1/2 in. L08	14570-PF-0003	7800-TE-0003	
	3/4 in. L12	14570-PF-0004	7800-TE-0004	
	1 in. L16	14570-PF-0005	7800-TE-0005	
	1-1/4 in. L20	14570-PF-0012	7800-TE-0012	
Plugged	B00	7130-TE-0003		

<https://wkfluidhandling.com/psr-series/>

