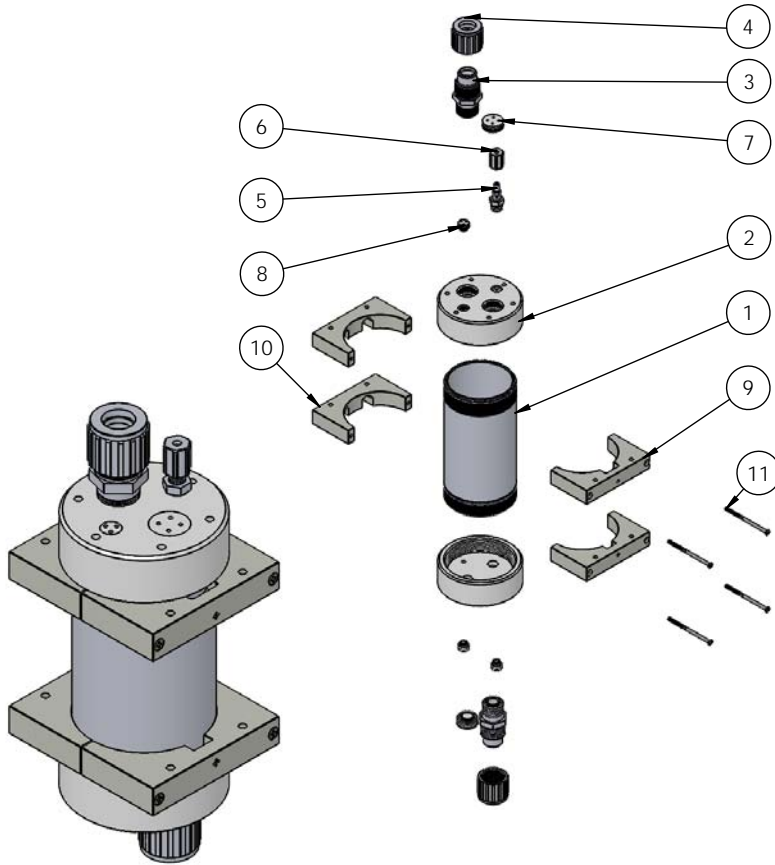


PV41-F12F12F4F4-B00B00B0B0-B00 Exploded View



PV41-F12F12-F12F4F4-F08B00B0B0-B00			
Item	Part Number	Description	Qty
1	1125-PF-0004	1 Liter Body, Cpa-4	1
2	2160-TE-0006	Cap, Cpa-4	2
3	7200-PF-0007	1" Flartek-10gpm	2
4	7210-PF-0005	Nut, Flaretek®, 1"	2
5	7200-PF-0012	1/4" Flaretek Liquid Fitting	1
6	7210-PF-0001	1/4" Flaretek Nut	1
7	7130-TE-0002	Fluid Port Plug-10gpm, Short	2
8	7130-TE-0006	Plug, Fluid Port, 04 Wk	3
9	1146-NP-0027	Clamp, Front Mount, Cpa-4	2
10	1146-NP-0028	Clamp, Rear Mount, Cpa-4	2
11	10010-SS-0034	Screw, Mounting, 10-24 X 3.5 Fh	4

Larger Fittings			Assemblies	Body Inlet Only (Nut not included)
Flaretek Compatible	1/2 in.	F08	14510-PF-0004	7200-PF-0005
	3/4 in.	F12	14510-PF-0005	7200-PF-0006
	1 in.	F16	14510-PF-0006	7200-PF-0007
	1-1/4 in.	F20	14510-PF-0007	7200-PF-0008
Tube Out	1/2 in.	T08	7120-PF-0004	
	3/4 in.	T12	7120-PF-0005	
	1 in.	T16	7120-PF-0006	
	1-1/4 in.	T20	7120-PF-0011	
Weldable	3/4 in.	W12	7300-PF-0003	
	1 in.	W16	7300-PF-0004	
Pillar S-300	3/8 in.	G06	TBD	TBD
	1/2 in.	G08	TBD	TBD
	3/4 in.	G12	TBD	TBD
	1 in.	G16	TBD	TBD
	1-1/4 in.	G20	TBD	TBD
FNPT	1/2 in.	N08	7100-TE-0006	
	3/4 in.	N12	7100-TE-0004	
	1 in.	N16	7100-TE-0008	
Synchro-Flare	1/2 in.	S08	14520-TE-0003	7010-TE-0005
	3/4 in.	S12	14520-TE-0004	7010-TE-0004
	1 in.	S16	14520-TE-0006	7010-TE-0006
PrimeLock	1/2 in.	L08	14570-PF-0003	7800-TE-0003
	3/4 in.	L12	14570-PF-0004	7800-TE-0004
	1 in.	L16	14570-PF-0005	7800-TE-0005
Plugged		B00	7130-TE-0003	

Smaller Fittings			Assemblies	Body Inlet Only (Nut not included)
Flaretek Compatible	1/4 in.	F4	14510-PF-0012	7200-PF-0012
	3/8 in.	F6	14510-PF-0013	7200-PF-0013
Pillar S-300	1/8 in.	G2	14530-PF-0024	7400-TE-0013
	1/4 in.	G4	TBD	TBD
	3/8 in.	G6	TBD	TBD
FNPT	1/4 in.	N4	7100-TE-0011	
	3/8 in.	N6	7100-TE-0016	
PrimeLock	1/4 in.	L4	TBD	7800-TE-0009
	3/8 in.	L6	TBD	7800-TE-0010
Plugged		B0	7130-TE-0006	

<https://wkfluidhandling.com/pressure-vessels/>