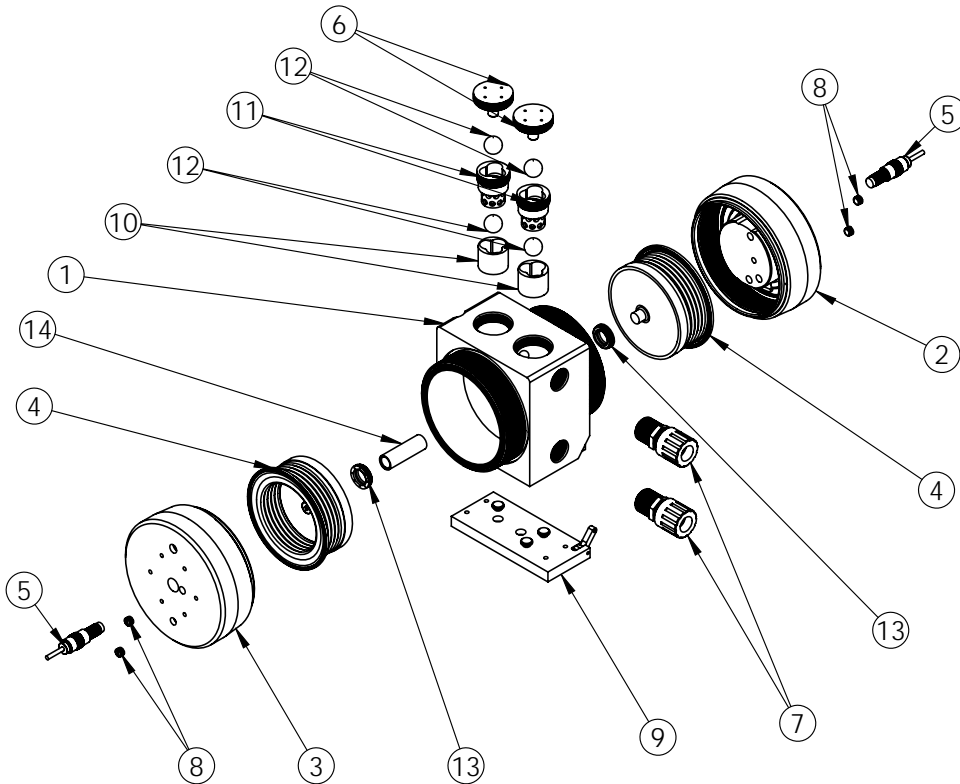




## PX120 Exploded View

PX120 pumps are discontinued legacy models. We recommend users consider PXA140 pumps, which provide better performance, increased flow rates, higher pressure capabilities, improved reliability, extended pump life and warranty periods, as well as shorter lead times. Details: <https://wkfluidhandling.com/pxa-series/> Discontinued 31 Dec 2015. Supported to 31 Dec 2020.



PX120 Bill Of Materials			
ITEM NO.	Part Number	DESCRIPTION	QTY.
1	1125-TE-0012	Pump Body	1
2	2127-EP-0034	Left Head	1
3	2127-EP-0006	Right Head	1
4	14300-MP-0010	Bellows Assembly	2
5	14700-XX-0001	Proximity Sensor Assembly	2
6	4140-TE-0004	Check Plug	2
7	14510-NP-0006	Flaretek® Compatible Assembly	2
8	10040-TE-0003	NPT Plug - 1/4"	4
9	14200-NP-0004	Base Plate Assembly	1
10	4135-TE-0010	Bottom Check Seat	2
11	4142-TE-0005	Top Check Seat	2
12	4100-TE-0004	Check Ball	4
13	5143-TE-0002	Shaft Seal	2
14	5144-PF-0004	Shaft	1

<https://wkfluidhandling.com/px-series/>

