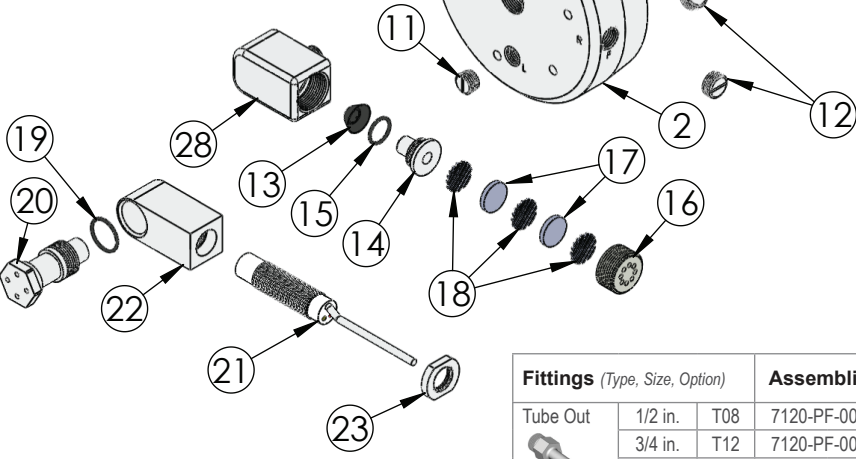


## PXH060 Exploded View

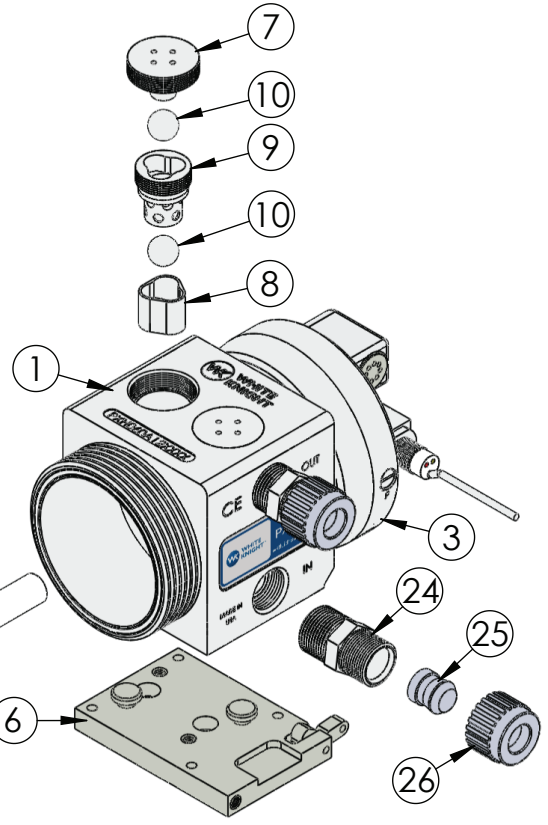
| PXH060 BILL OF MATERIALS |                 |                              |      |
|--------------------------|-----------------|------------------------------|------|
| Item                     | Part Number     | Description                  | Qty. |
| 1                        | 1125-TE-0016    | Pump Body                    | 1    |
| 2                        | 2127-TE-0025    | Head, Right                  | 1    |
| 3                        | 2127-TE-0026    | Head, Left                   | 1    |
| 4                        | 14300-PF-0011   | Bellows Assembly             | 2    |
| 5                        | 5143-MP-0012    | Seal, Shaft                  | 2    |
| 6                        | 14200-NP-0005   | Plate, Base, Assembly        | 1    |
| 7                        | 4140-TE-0002    | Top Check Plug               | 2    |
| 8                        | 4135-MP-0001    | Seat, Check, Bottom, Hi-flow | 2    |
| 9                        | 4142-MP-0001    | Cage, Check, Top, Hi-flow    | 2    |
| 10                       | 4100-MP-0001    | Ball, Check, 3/4"            | 4    |
| 11                       | 10040-TE-0003   | Plug, NPT, 1/4"              | 2    |
| 12                       | 10040-TE-0006   | Plug, 5/8", .300"            | 4    |
| 13                       | 3200-VI-0001    | Diaphragm, Ø.782             | 2    |
| 14                       | 6150-UH-0001    | Seat, QEV Exhaust            | 2    |
| 15                       | 10080-VI-016-75 | O-ring, .016 x .070          | 2    |
| 16                       | 6150-NP-0007    | Cap, Muffler, QEV            | 2    |
| 17                       | 6140-FP-0002    | Baffle Porous Poly QEV       | 4    |
| 18                       | 6140-PP-0004    | Mesh, QEV 04 & 05            | 6    |
| 19                       | 10080-VI-019-75 | O-ring, .019 X .070          | 2    |
| 20                       | 8200-TE-0001    | Adapter, Cap, Proximity      | 2    |
| 21                       | 8600-XX-0008    | Sensor, Proximity            | 2    |
| 22                       | 8110-TE-0006    | Housing, Sensor              | 2    |
| 23                       | 10010-TE-0019   | Nut, Jam                     | 2    |
| 24                       | 7400-TE-0004    | Body, S-300®, 3/4"           | 2    |
| 25                       | 7400-PF-0002    | Insert, S-300®               | 2    |
| 26                       | 7400-PF-0006    | Nut, S-300®, 3/4"            | 2    |
| 27                       | 5144-PF-0023    | Shaft                        | 1    |
| 28                       | 6090-UH-0003    | QEV Body, 05                 | 2    |

| Stroke Detect |                                              |
|---------------|----------------------------------------------|
| Part          | Description                                  |
| 14700-XX-0039 | SX1 15 ft PNP normally open proximity switch |



| Leak Detect   |                                                |
|---------------|------------------------------------------------|
| Part          | Description                                    |
| 14600-XX-0009 | LF0 15 ft fiber optic cable with no amplifier  |
| 14600-XX-0010 | LF1 15 ft fiber optic cable with D10 amplifier |
| 14600-XX-0011 | LF2 25 ft fiber optic cable with no amplifier  |
| 14600-XX-0012 | LF3 25 ft fiber optic cable with D10 amplifier |
| 14600-XX-0031 | LC0 15 ft conductivity cable                   |
| 14600-XX-0040 | LC1 25 ft conductivity cable                   |

| Fittings (Type, Size, Option) |           | Assemblies |              |
|-------------------------------|-----------|------------|--------------|
| Tube Out                      | 1/2 in.   | T08        | 7120-PF-0004 |
|                               | 3/4 in.   | T12        | 7120-PF-0005 |
|                               | 1 in.     | T16        | 7120-PF-0006 |
|                               | 1-1/4 in. | T20        | 7120-PF-0011 |
| Weldable                      | 3/4 in.   | W12        | 7300-PF-0003 |
|                               | 1 in.     | W16        | 7300-PF-0004 |
| FNPT                          | 1/2 in.   | N08        | 7100-TE-0006 |
|                               | 3/4 in.   | N12        | 7100-TE-0004 |
|                               | 1 in.     | N16        | 7100-TE-0008 |
| Plugged                       |           | B00        | 7130-TE-0003 |



| Fittings (Type, Size, Option) |           | Assemblies |               | Body Inlet Only (Nut not included) |
|-------------------------------|-----------|------------|---------------|------------------------------------|
| Flaretek Compatible           | 1/2 in.   | F08        | 14510-PF-0004 | 7200-PF-0005                       |
|                               | 3/4 in.   | F12        | 14510-PF-0005 | 7200-PF-0006                       |
|                               | 1 in.     | F16        | 14510-PF-0006 | 7200-PF-0007                       |
|                               | 1-1/4 in. | F20        | 14510-PF-0007 | 7200-PF-0008                       |
| Pillar S-300                  | 3/8 in.   | P06        | 14530-PF-0028 | 7400-TE-0036                       |
|                               | 1/2 in.   | P08        | 14530-PF-0003 | 7400-TE-0003                       |
|                               | 3/4 in.   | P12        | 14530-PF-0004 | 7400-TE-0004                       |
|                               | 1 in.     | P16        | 14530-PF-0005 | 7400-TE-0005                       |
| Synchro-Flare                 | 1-1/4 in. | P20        | 14530-PF-0009 | 7400-TE-0012                       |
|                               | 1/2 in.   | S08        | 14520-TE-0003 | 7010-TE-0005                       |
|                               | 3/4 in.   | S12        | 14520-TE-0004 | 7010-TE-0004                       |
| PrimeLock                     | 1 in.     | S16        | 14520-TE-0006 | 7010-TE-0006                       |
|                               | 1/2 in.   | L08        | 14570-PF-0003 | 7800-TE-0003                       |
|                               | 3/4 in.   | L12        | 14570-PF-0004 | 7800-TE-0004                       |
|                               | 1 in.     | L16        | 14570-PF-0005 | 7800-TE-0005                       |
|                               | 1-1/4 in. | L20        | 14570-PF-0012 | 7800-TE-0012                       |

<https://wkfluidhandling.com/pxh-series/>