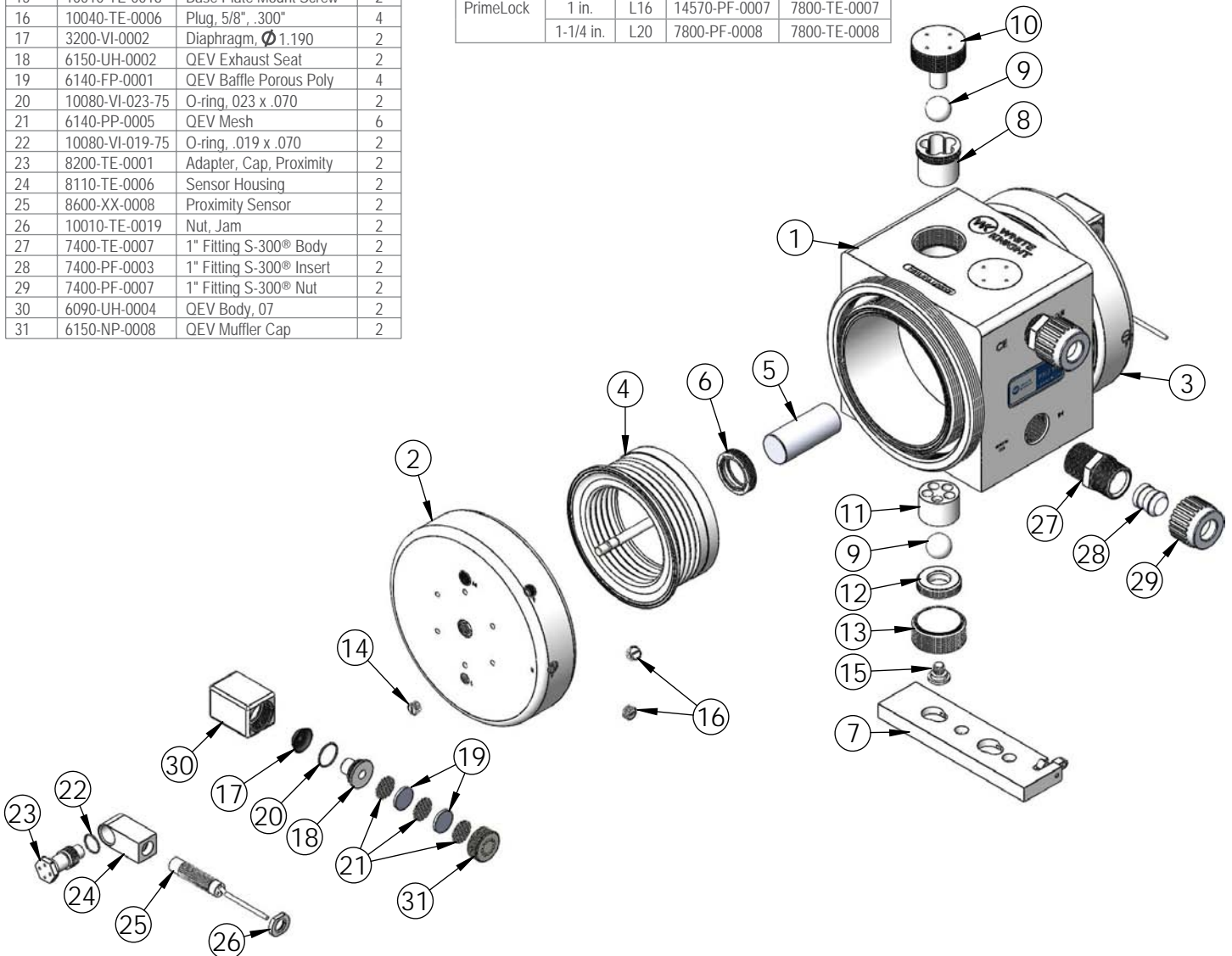


## PXU140 Exploded View

PXU140 BILL OF MATERIALS			
Item	Part Number	Description	Qty.
1	1125-TE-0022	Body, Pump	1
2	2127-TE-0039	Head, Right	1
3	2127-TE-0040	Head, Left	1
4	14300-MP-0023	Bellows Assembly	2
5	14320-PF-0003	Shaft	1
6	5143-MP-0005	Seal, Shaft	2
7	14200-TE-0004	Base Plate Assembly	1
8	4142-MP-0007	Top Check Seat	2
9	4100-MP-0003	1-1/8" Check Ball	4
10	4140-TE-0007	Check Plug	2
11	4137-TE-0003	Check Cage	2
12	4135-MP-0009	Check Seat	2
13	4139-TE-0006	Check Plug	2
14	10040-TE-0003	1/4" NPT Plug	2
15	10010-TE-0018	Base Plate Mount Screw	2
16	10040-TE-0006	Plug, 5/8", .300"	4
17	3200-VI-0002	Diaphragm, Ø 1.190	2
18	6150-UH-0002	QEV Exhaust Seat	2
19	6140-FP-0001	QEV Baffle Porous Poly	4
20	10080-VI-023-75	O-ring, .023 x .070	2
21	6140-PP-0005	QEV Mesh	6
22	10080-VI-019-75	O-ring, .019 x .070	2
23	8200-TE-0001	Adapter, Cap, Proximity	2
24	8110-TE-0006	Sensor Housing	2
25	8600-XX-0008	Proximity Sensor	2
26	10010-TE-0019	Nut, Jam	2
27	7400-TE-0007	1" Fitting S-300® Body	2
28	7400-PF-0003	1" Fitting S-300® Insert	2
29	7400-PF-0007	1" Fitting S-300® Nut	2
30	6090-UH-0004	QEV Body, 07	2
31	6150-NP-0008	QEV Muffler Cap	2

Fittings (Type, Size, Option)	Assemblies	Body Inlet Only (Nut not included)
Flaretek Compatible	1/2 in. F08	14510-PF-0011 7200-PF-0015
	3/4 in. F12	14510-PF-0008 7200-PF-0009
	1 in. F16	14510-PF-0009 7200-PF-0010
	1-1/4 in. F20	14510-PF-0010 7200-PF-0011
Pillar S-300	1/2 in. P08	14530-PF-0011 7400-TE-0019
	3/4 in. P12	14530-PF-0006 7400-TE-0006
	1 in. P16	14530-PF-0007 7400-TE-0007
	1-1/4 in. P20	14530-PF-0008 7400-TE-0008
	1-1/2 in. P24	14530-PF-0026 7400-TE-0035
Synchro-Flare	1/2 in. S08	TBD 7010-TE-0008
	3/4 in. S12	14520-TE-0008 7010-TE-0007
	1 in. S16	14520-TE-0007 7010-TE-0009
PrimeLock	3/4 in. L12	14570-PF-0006 7800-TE-0006
	1 in. L16	14570-PF-0007 7800-TE-0007
	1-1/4 in. L20	7800-PF-0008 7800-TE-0008

Fittings (Type, Size, Option)	Assemblies
Tube Out	3/4 in. T12 7120-PF-0007
	1 in. T16 7120-PF-0008
	1-1/4 in. T20 7120-PF-0009
	1-1/2 in. T24 7120-PF-0010
Weldable	3/4 in. W12 7300-PF-0005
	1 in. W16 7300-PF-0006
FNPT	3/4 in. N12 7100-TE-0009
	1 in. N16 7100-TE-0005
	1-1/4 in. N20 7100-TE-0010
Plugged	B00 7130-TE-0005



<https://wkfluidhandling.com/pxu-series/>