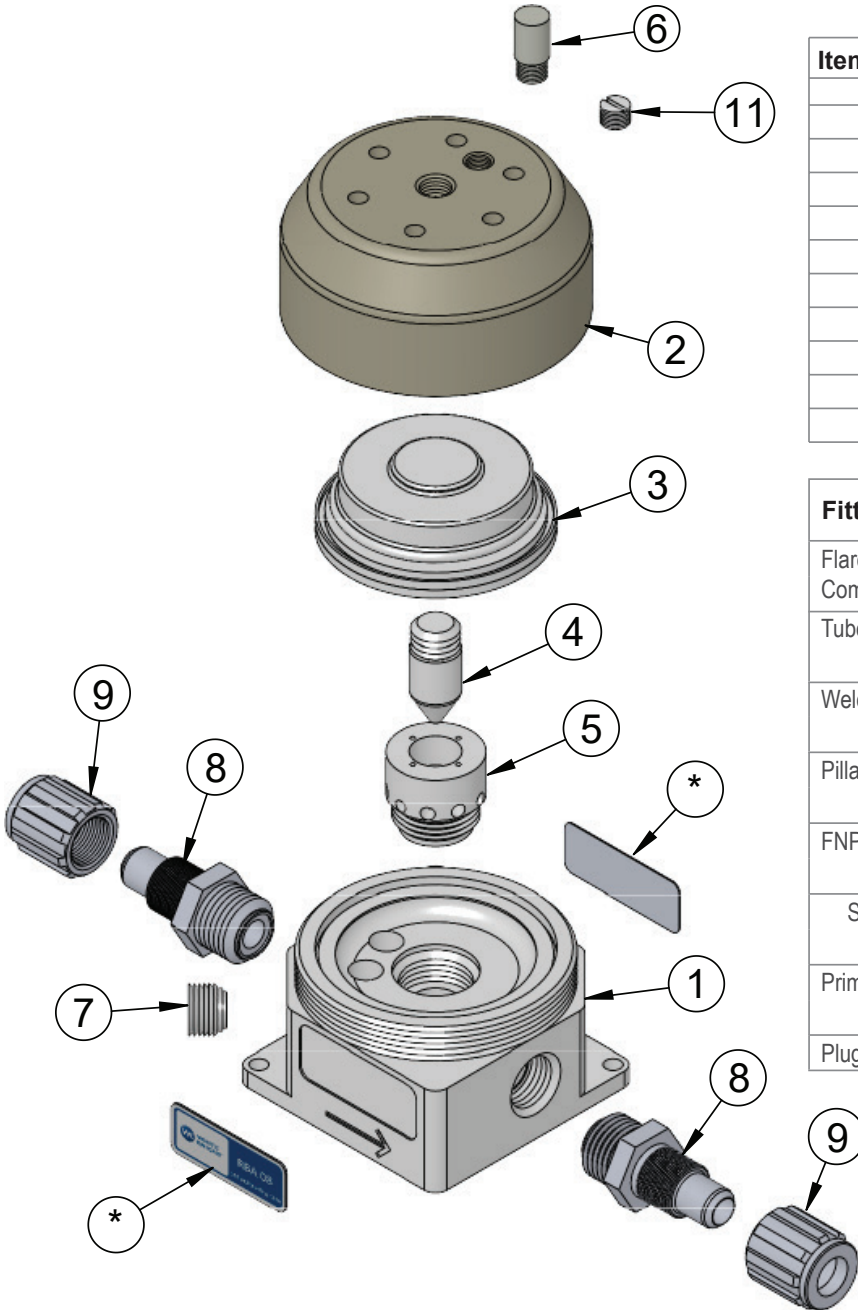


RBA08SL Exploded View



Item No.	Part Number	Description	Qty.
1	1150-TE-0003	Body	1
2	2150-EP-0003	Head	1
3	3130-MP-0038	Bellows	1
4	4143-TE-0018	Poppet	1
5	4144-TE-0008	Piston Sleeve	1
6	6110-PP-0003	Muffler 1/8-in Port (PP)	1
7	7130-TE-0006	Fluid Port Plug	1
8	7200-PF-0003	1/2-in Flaretek® Body	2
9	7210-PF-0003	1/2-in Flaretek® Nut	2
10	10020-PK-0002	Restrictor	1
11	10040-TE-0002	1/8-in NPT Plug	1

Fittings (Type, Size, Option)			Assemblies	Body Inlet Only (Nut not included)
Flaretek Compatible	1/2 in.	F08	14510-PF-0002	7200-PF-0003
	3/4 in.	F12	14510-PF-0003	7200-PF-0004
Tube Out	1/2 in.	T08	7120-PF-0002	
	3/4 in.	T12	7120-PF-0003	
Weldable	1/2 in.	W08	7300-PF-0001	
	3/4 in.	W12	7300-PF-0002	
Pillar S-300	1/2 in.	P08	14530-PF-0001	7400-TE-0001
	3/4 in.	P12	14530-PF-0002	7400-TE-0002
FNPT	1/2 in.	N08	7100-TE-0003	
	3/4 in.	N12	7100-TE-0007	
Synchro-Flare	1/2 in.	S08	14520-TE-0001	7010-TE-0003
	3/4 in.	S12	14520-TE-0002	7010-TE-0002
PrimeLock	1/2 in.	L08	14570-PF-0001	7800-TE-0001
	3/4 in.	L12	14570-PF-0002	7800-TE-0002
Plugged		B00	7130-TE-0001	

<https://wkfluidhandling.com/pressure-regulators/>