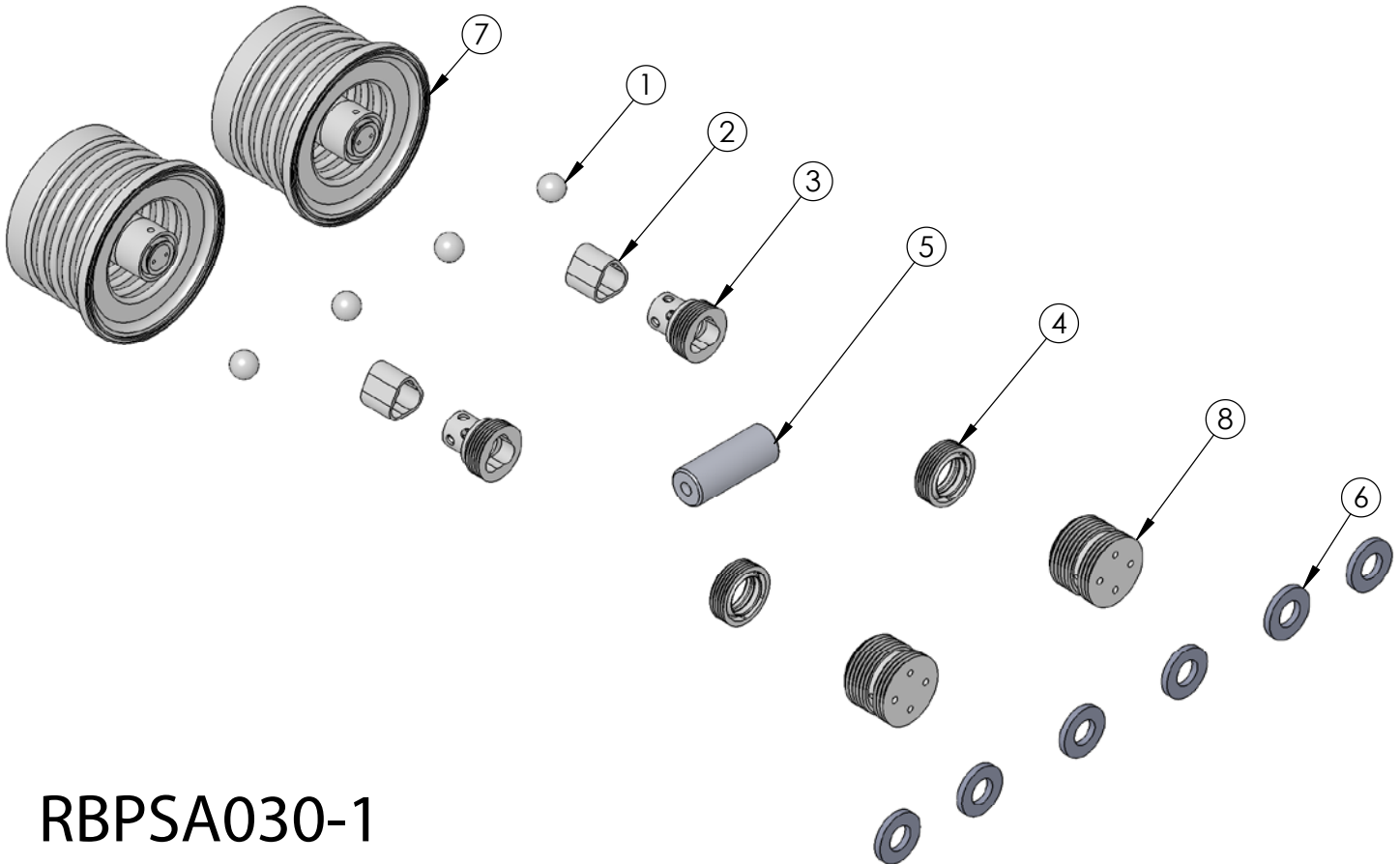


RBPSA030-1 Rebuild Kit

Rebuild kit for PSA030 pump is RBPSA030-1. Rebuild kit for dry-run PSASD030 pump is RBPSASD030-1. To request rebuilds by White Knight, use RBPSA030-5 or RBPSASD030-5. Contact White Knight for details. Pump rebuilds require tool kit: 12200-XX-0019 (Legacy# PSA030-170).

Note: Dry-run RBPSASD030-1 pump rebuild kits include different shaft and shaft seals.



RBPSA030-1

ITEM NO.	PART NUMBER	DESCRIPTION	QTY.
1	4100-MP-0004	CHECK BALL 1/2"	4
2	4135-MP-0006	CHECK SEAT BOTTOM HI-FLOW 25L & 30L	2
3	4142-MP-0004	CHECK CAGE TOP HI-FLOW 25L & 30L	2
4	5143-MP-0001	SEAL, SHAFT, 30L	2
5	5144-PF-0024	SHAFT, SOLID, PFA, 30L	1
6	6140-FP-0003	BAFFLE POROUS POLY 25L & 30L	6
7	14300-MP-0013	30L S- Series H & A Bellows Assembly	2
8	6530-TE-0001	SHUTTLE END CAP- 5GPM	2