

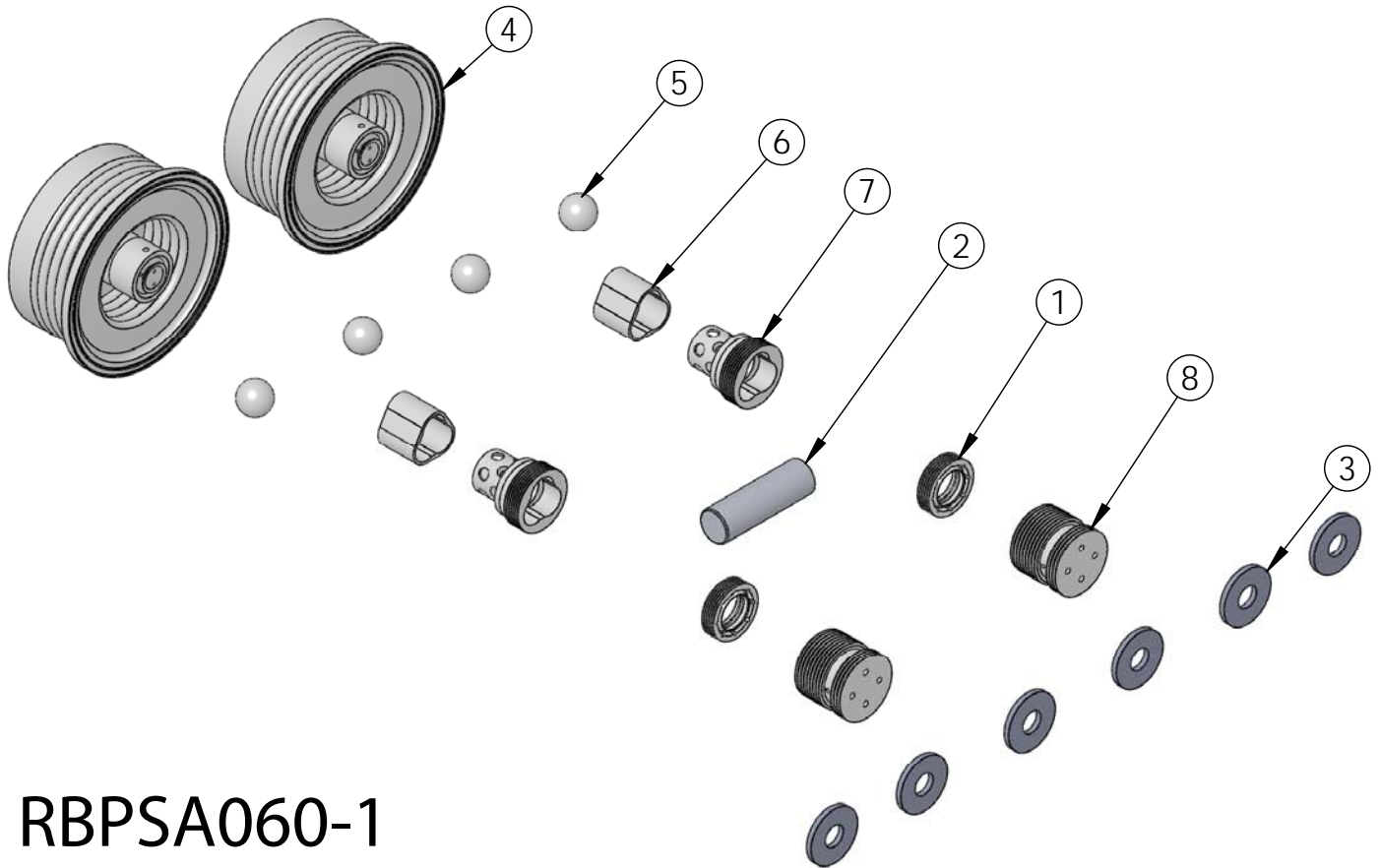
## RBPSA060-1 Rebuild Kit

Rebuild kit for PSA060 pump is RBPSA060-1. Rebuild kit for dry-run PSASD060 pump is RBPSASD060-1.

To request rebuilds by White Knight, use RBPSA060-5 or RBPSASD060-5.

Contact White Knight for details. Pump rebuilds require tool kit: 12200-XX-0020 (Legacy# PSA060-170).

*Note: Dry-run RBPSASD060-1 pump rebuild kits include different shaft and shaft seals.*



## RBPSA060-1

ITEM NO.	PART NUMBER	DESCRIPTION	QTY.
1	5143-MP-0012	SEAL, SHAFT, A&H, 60L	2
2	5144-PF-0023	SHAFT, SOLID, PFA, 60L	1
3	6140-FP-0004	BAFFLE POROUS POLY 60L	6
4	14300-MP-0014	BELLOWS ASSEMBLY, SHIFT, 60L	2
5	4100-MP-0001	CHECK BALL-3/4"	4
6	4135-MP-0001	BOTTOM CHECK SEAT- 10GPM HIGH FLOW	2
7	4142-MP-0001	TOP CHECK CAGE-10GPM HIGH FLOW	2
8	6530-TE-0002	Shuttle End Plug 10 gpm	2