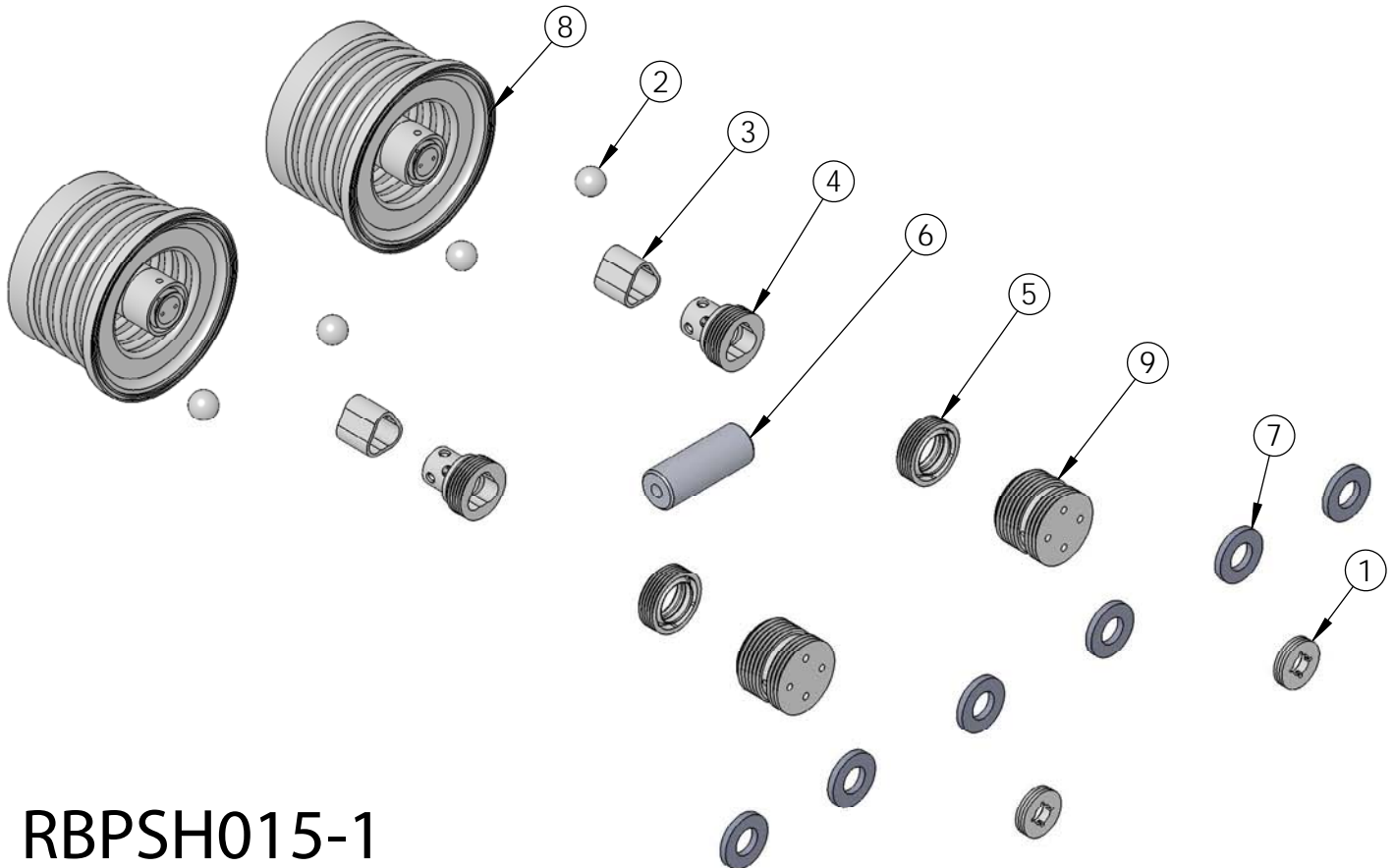




RBPSH015-1 Rebuild Kit

Rebuild kit for PSH015 pump is RBPSH015-1. Rebuild kit for dry-run PSHSD030 pump is RBPSHSD030-1. To request rebuilds by White Knight, use RBPSH030-5 or RBPSHSD030-5. Contact White Knight for details. Pump rebuilds require tool kit: 12200-XX-0022 (Legacy# PSH030-170).

Note: Dry-run RBPSHSD030-1 pump rebuild kits include different shaft and shaft seals.



RBPSH015-1

ITEM NO.	PART NUMBER	DESCRIPTION	QTY.
1	3133-TE-0006	REPLACEABLE SEAT, SHIFT, UNIVERSAL	2
2	4100-MP-0004	CHECK BALL 1/2"	4
3	4135-MP-0006	CHECK SEAT BOTTOM HI-FLOW 25L & 30L	2
4	4142-MP-0004	CHECK CAGE TOP HI-FLOW/ 25L & 30L	2
5	5143-MP-0001	SEAL, SHAFT, 30L	2
6	5144-PF-0024	SHAFT, SOLID, PFA, 30L	1
7	6140-FP-0003	BAFFLE POROUS POLY 25L & 30L	6
8	14300-MP-0013	30L S- Series H & A Bellows Assembly	2
9	6530-TE-0001	SHUTTLE END CAP- 5GPM	2

