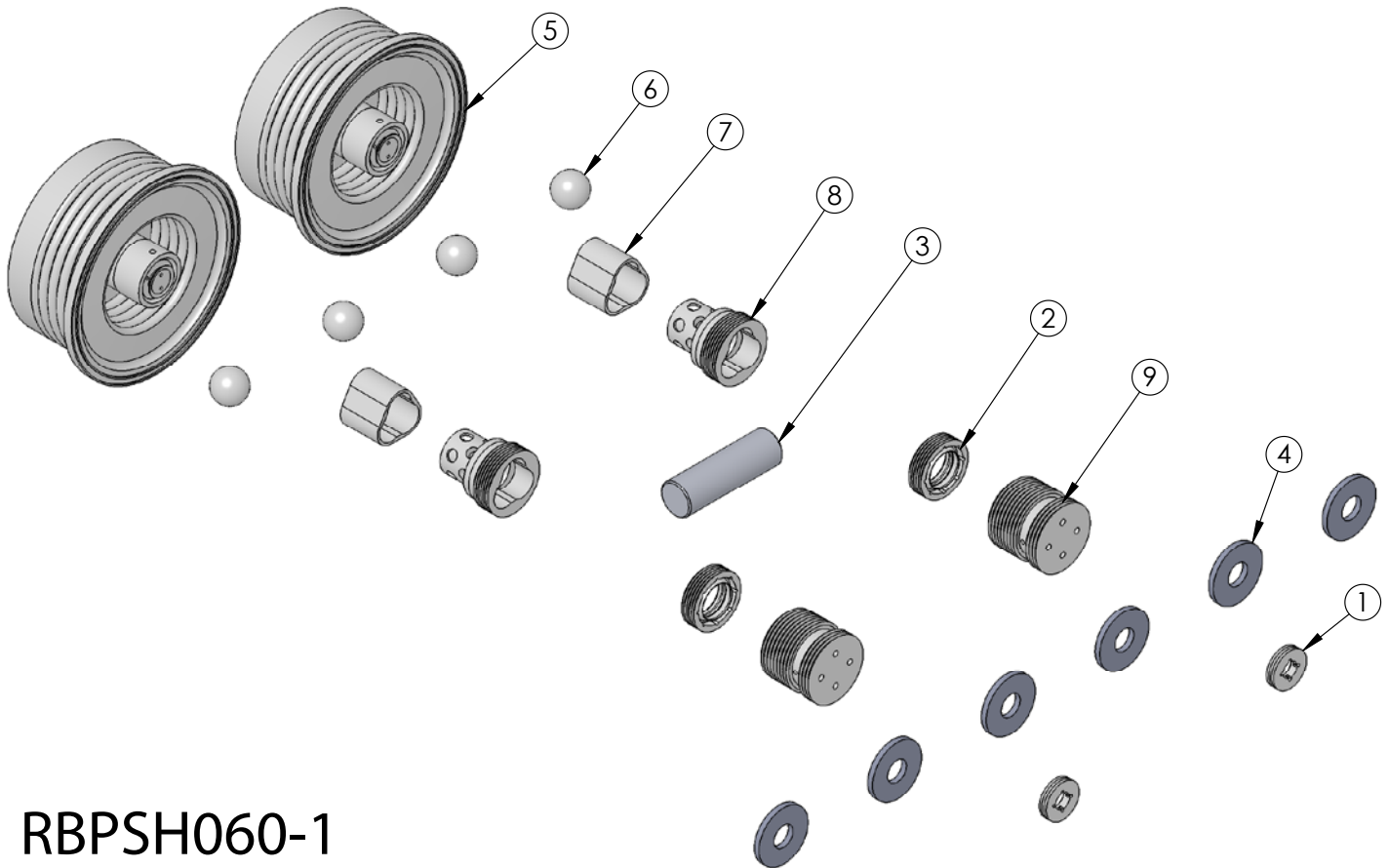




## RBPSH060-1 Rebuild Kit

Rebuild kit for PSH060 pump is RBPSH060-1. Rebuild kit for dry-run PSHSD060 pump is RBPSHSD060-1. To request rebuilds by White Knight, use RBPSH060-5 or RBPSHSD060-5. Contact White Knight for details. Pump rebuilds require tool kit: 12200-XX-0023 (Legacy# PSH060-170).

*Note: Dry-run RBPSHSD060-1 pump rebuild kits include different shaft and shaft seals.*



## RBPSH060-1

ITEM NO.	PART NUMBER	DESCRIPTION	QTY.
1	3133-TE-0006	REPLACEABLE SEAT, SHIFT, UNIVERSAL	2
2	5143-MP-0002	SEAL, SHAFT, A&H, 60L	2
3	5144-PF-0023	SHAFT, SOLID, PFA, 60L	1
4	6140-FP-0004	BAFFLE POROUS POLY 60L	6
5	14300-MP-0014	BELLOWS ASSEMBLY, SHIFT, 60L	2
6	4100-MP-0001	CHECK BALL-3/4"	4
7	4135-MP-0001	BOTTOM CHECK SEAT- 10GPM HIGH FLOW	2
8	4142-MP-0001	TOP CHECK CAGE-10GPM HIGH FLOW	2
9	6530-TE-0002	Shuttle End Plug 10 gpm	2

