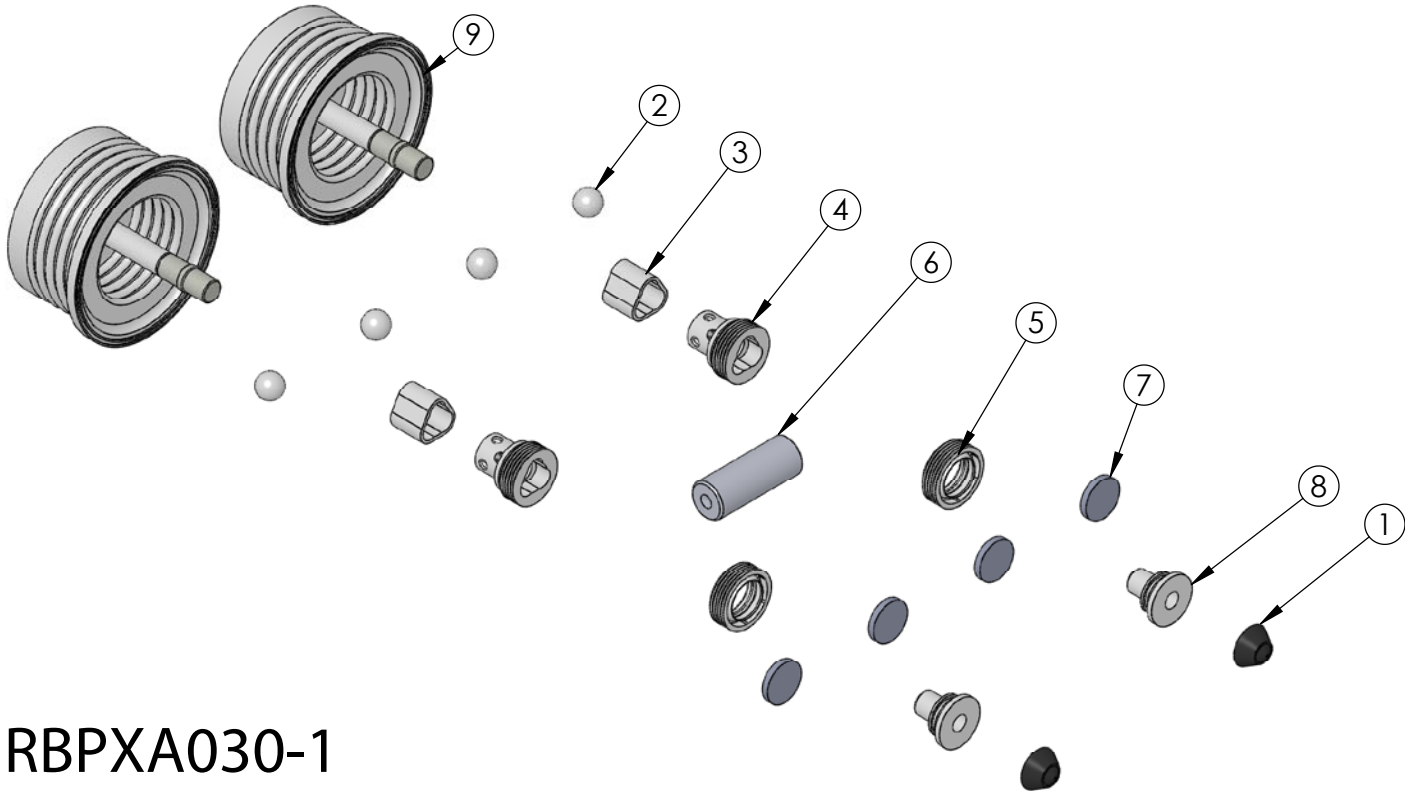




RBPXA030-1 Rebuild Kit

Rebuild kit for PXA030 pump is RBPXA030-1. Rebuild kit for dry-run PXASD030 pump is RBPXASD030-1. To request rebuilds by White Knight, use RBPXA030-5 or RBPXASD030-5. Contact White Knight for details. Pump rebuilds require tool kit: 12200-XX-0028 (Legacy# PXA030-170).

Note: Dry-run RBPXASD030-1 pump rebuild kits include different shaft and shaft seals.



RBPXA030-1

ITEM NO.	PART NUMBER	DESCRIPTION	QTY.
1	3200-VI-0001	DIAPHRAGM, ϕ .782	2
2	4100-MP-0004	CHECK BALL 1/2"	4
3	4135-MP-0006	CHECK SEAT BOTTOM HI-FLOW 25L & 30L	2
4	4142-MP-0004	CHECK CAGE TOP HI-FLOW 25L & 30L	2
5	5143-MP-0001	SEAL, SHAFT, 30L	2
6	5144-PF-0024	SHAFT, SOLID, PFA, 30L	1
7	6140-FP-0002	BAFFLE, .800"	4
8	6150-UH-0001	SEAT, QEV EXHAUST, 30L & 60L	2
9	14300-MP-0017	BELLOWS ASSEMBLY, 30L, A & H, PROXIMITY	2

