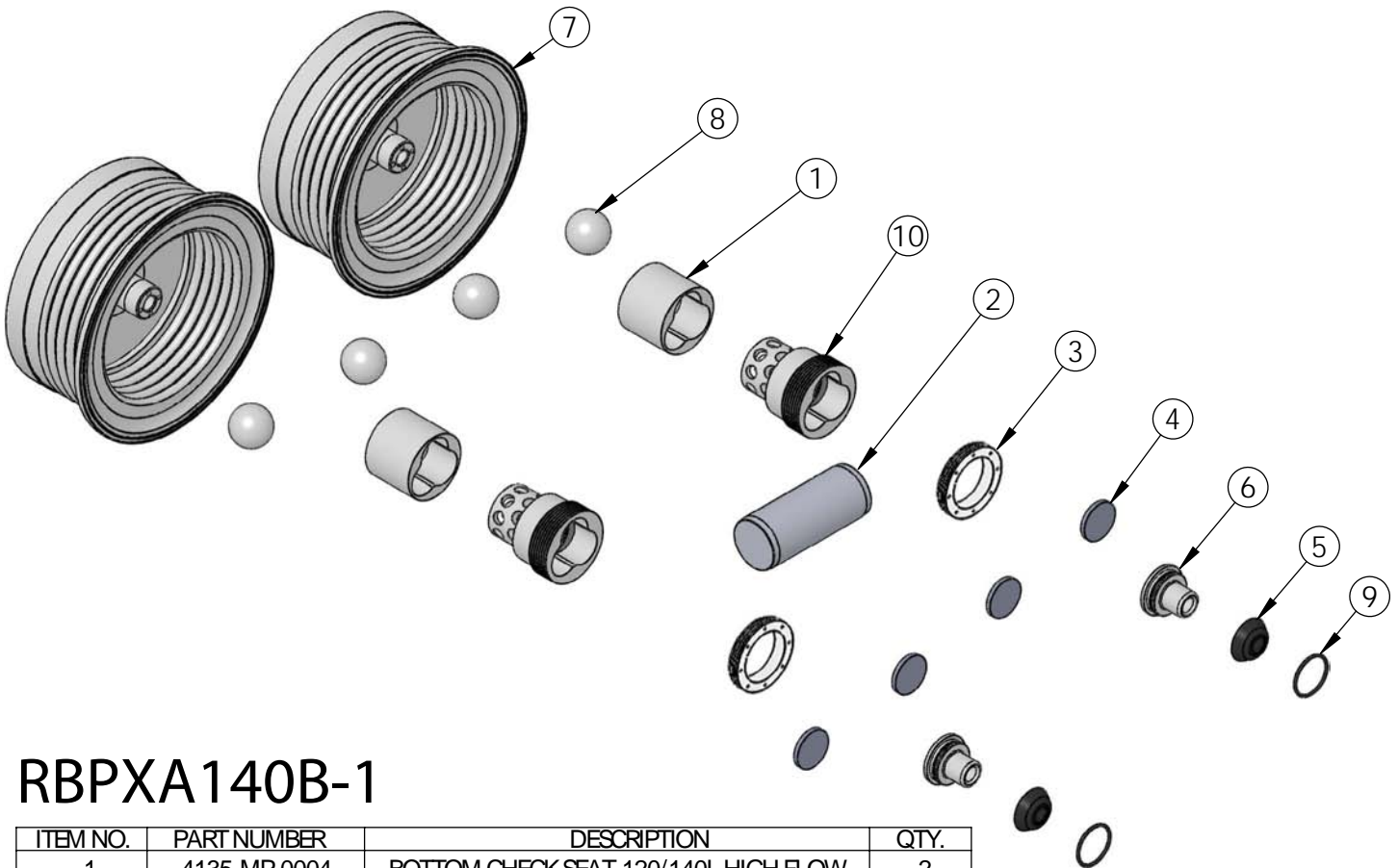




RBPXA140B-1 Rebuild Kit

Rebuild kit for PXA140B pump is RBPXA140B-1. To request rebuilds by White Knight, use RBPXA140B-5. Contact White Knight for details. Pump rebuilds require tool kit: 12200-XX-0021 (Legacy# PXA140B-170).



RBPXA140B-1

ITEM NO.	PART NUMBER	DESCRIPTION	QTY.
1	4135-MP-0004	BOTTOM CHECK SEAT-120/140L HIGH FLOW	2
2	5144-PF-0022	SHAFT, SOLID, PFA, 140L	1
3	5143-MP-0011	SEAL, SHAFT, 140L	2
4	6140-FP-0001	BAFFLE, 1.100"	4
5	3200-VI-0002	DIAPHRAGM, Ø 1.190	2
6	6150-UH-0002	SEAT, QEV EXHAUST, 140L	2
7	14300-MP-0045	BELLOWS ASSEMBLY, PXA140B	2
8	4100-MP-0003	CHECK BALL- 1-1/8"	4
9	10080-VI-023-75	O-RING, 023 x .070	2
10	4142-MP-0003	TOP CHECK SEAT-30GPM HIGH FLOW	2

