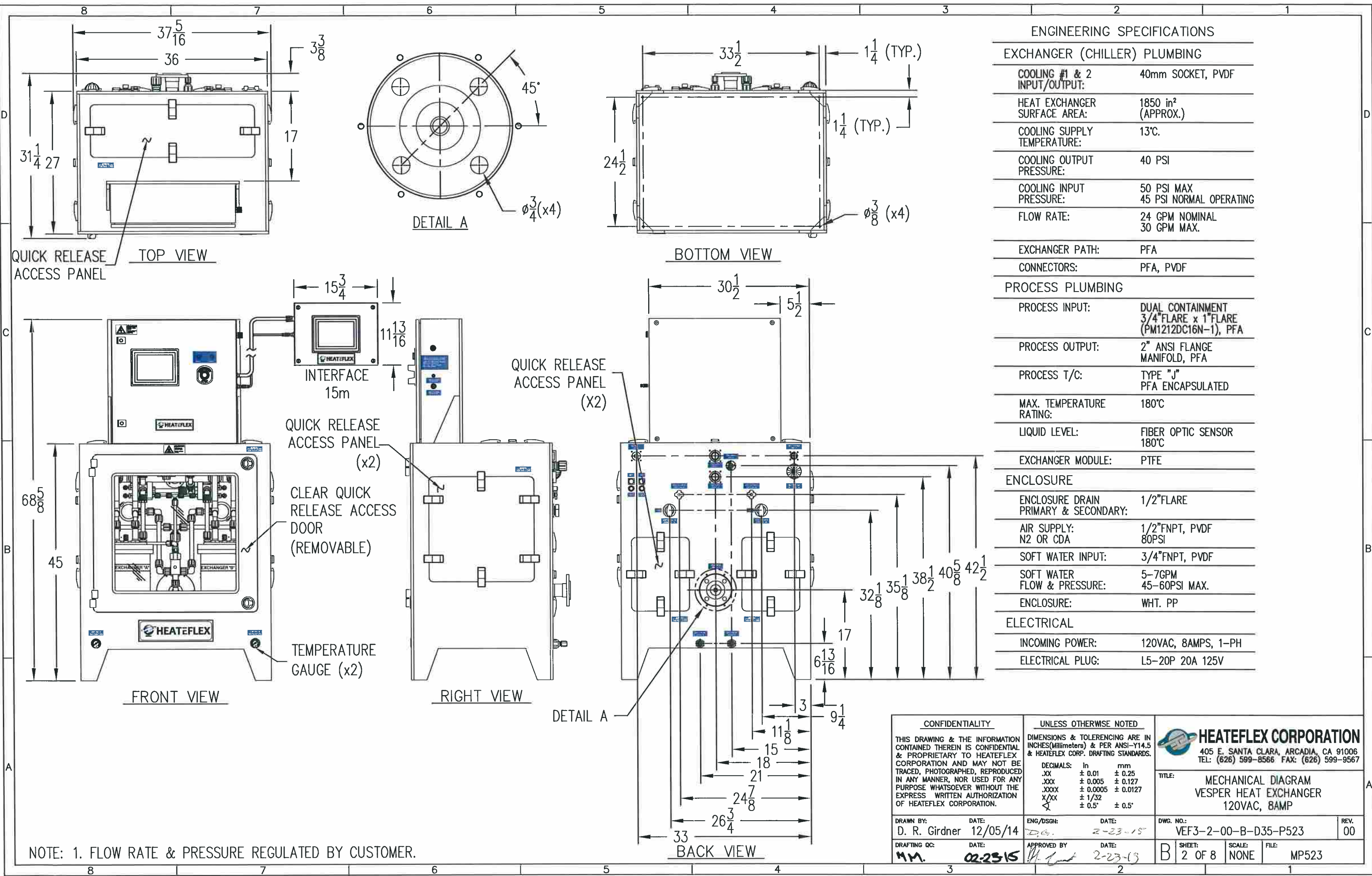


NOTE: 1. FLOW RATE & PRESSURE REGULATED BY CUSTOMER.

CONFIDENTIALITY THIS DRAWING & THE INFORMATION CONTAINED THEREIN IS CONFIDENTIAL & PROPRIETARY TO HEATEFLEX CORPORATION AND MAY NOT BE TRACED, PHOTOGRAPHED, REPRODUCED IN ANY MANNER, NOR USED FOR ANY PURPOSE WHATSOEVER WITHOUT THE EXPRESS WRITTEN AUTHORIZATION OF HEATEFLEX CORPORATION.		UNLESS OTHERWISE NOTED DIMENSIONS & TOLERANCING ARE IN INCHES (Millimeters) & PER ANSI-Y14.5 & HEATEFLEX CORP. DRAFTING STANDARDS.		HEATEFLEX CORPORATION 405 E. SANTA CLARA, ARCADIA, CA 91006 TEL: (626) 599-8566 FAX: (626) 599-9567	
DECIMALS: in mm .XX ± 0.01 ± 0.25 .XXX ± 0.005 ± 0.127 .XXX ± 0.0005 ± 0.0127 X/XX ± 1/32 X ± 0.5 ± 0.5		TITLE: FACILITY DIAGRAM VESPER HEAT EXCHANGER 120VAC, 8AMPS		DWG. NO.: VEF3-2-00-B-D35-P523	
DRAWN BY: D. R. Girdner	DATE: 12/05/14	ENG/DSGH: [Signature]	DATE: 2-23-15	SHEET: 1 OF 8	SCALE: NONE
DRAFTING QC: HM.	DATE: 02/23/15	APPROVED BY: [Signature]	DATE: 2-23-15	FILE: FP523	REV.: 00



ENGINEERING SPECIFICATIONS	
EXCHANGER (CHILLER) PLUMBING	
COOLING #1 & 2 INPUT/OUTPUT:	40mm SOCKET, PVDF
HEAT EXCHANGER SURFACE AREA:	1850 in ² (APPROX.)
COOLING SUPPLY TEMPERATURE:	13°C.
COOLING OUTPUT PRESSURE:	40 PSI
COOLING INPUT PRESSURE:	50 PSI MAX 45 PSI NORMAL OPERATING
FLOW RATE:	24 GPM NOMINAL 30 GPM MAX.
EXCHANGER PATH:	PFA
CONNECTORS:	PFA, PVDF
PROCESS PLUMBING	
PROCESS INPUT:	DUAL CONTAINMENT 3/4" FLARE x 1" FLARE (PM1212DC16N-1), PFA
PROCESS OUTPUT:	2" ANSI FLANGE MANIFOLD, PFA
PROCESS T/C:	TYPE "J" PFA ENCAPSULATED
MAX. TEMPERATURE RATING:	180°C
LIQUID LEVEL:	FIBER OPTIC SENSOR 180°C
EXCHANGER MODULE:	PTFE
ENCLOSURE	
ENCLOSURE DRAIN PRIMARY & SECONDARY:	1/2" FLARE
AIR SUPPLY: N2 OR CDA	1/2" FNPT, PVDF 80PSI
SOFT WATER INPUT:	3/4" FNPT, PVDF
SOFT WATER FLOW & PRESSURE:	5-7GPM 45-60PSI MAX.
ENCLOSURE:	WHT. PP
ELECTRICAL	
INCOMING POWER:	120VAC, 8AMPS, 1-PH
ELECTRICAL PLUG:	L5-20P 20A 125V

CONFIDENTIALITY		UNLESS OTHERWISE NOTED		<p>405 E. SANTA CLARA, ARCADIA, CA 91006 TEL: (626) 599-8566 FAX: (626) 599-9567</p>	
THIS DRAWING & THE INFORMATION CONTAINED THEREIN IS CONFIDENTIAL & PROPRIETARY TO HEATEFLEX CORPORATION AND MAY NOT BE TRACED, PHOTOGRAPHED, REPRODUCED IN ANY MANNER, NOR USED FOR ANY PURPOSE WHATSOEVER WITHOUT THE EXPRESS WRITTEN AUTHORIZATION OF HEATEFLEX CORPORATION.		DIMENSIONS & TOLERANCING ARE IN INCHES (Millimeters) & PER ANSI-Y14.5 & HEATEFLEX CORP. DRAFTING STANDARDS.			
		DECIMALS: in mm .XX ± 0.01 ± 0.25 .XXX ± 0.005 ± 0.127 .XXXX ± 0.0005 ± 0.0127 X/XX ± 1/32 X ± 0.5" ± 0.5"		TITLE: MECHANICAL DIAGRAM VESPER HEAT EXCHANGER 120VAC, 8AMP	
DRAWN BY: D. R. Girdner	DATE: 12/05/14	ENG/DSGH: D.G.	DATE: 2-23-15	DWG. NO.: VEF3-2-00-B-D35-P523	REV.: 00
DRAFTING QC: MM.	DATE: 02-23-15	APPROVED BY: [Signature]	DATE: 2-23-15	SHEET: 2 OF 8	SCALE: NONE
				FILE: MP523	

NOTE: 1. FLOW RATE & PRESSURE REGULATED BY CUSTOMER.