



**WHITE KNIGHT**<sup>®</sup>

.....engineer approved™

# CATCHER™ PRE-FILTERS



## Protect Pumps from Wafer Shards and Harmful Debris

Catcher™ pre-filters extend the life of your pumps. Their larger through holes prevent loading their filter with fine crystals while still filtering solids that could damage pumps. Their filters can be removed and cleaned without disconnecting liquid lines. In-line and pump-mounted options are available. White Knight pumps damaged by passing solids while using Catchers™ are repaired under warranty.



PSA060 with  
FD12-S-MF12



PSA060 with  
FD12-P-BX00

### Features & Benefits

- Process-safe PTFE, PFA flow paths
- Safe, leak-free operation
- In-line and pump-mounted options
- Large through-holes to avoid loading
- Operate ≤210°C with appropriate connections; FLR and NPT ≤100°C
- Capable of ≤7 Bar (100 psi) pressure
- Remove and clean filters without disconnecting pump or liquid lines
- Minimal parts for durable design
- Various liquid connection options
- Easy to install and service

### Product-Mounted Catcher™ Pre-Filters

Mounted pre-filters go between the pump inlet and its inlet fitting. They also fit on inlet ports of other White Knight products.



**FD08-P-BX00**

Compatible pumps:  
PFA015, PFA030, PSA015,  
PSA030, PSR025, PXA030



**FD12-P-BX00**

Compatible pumps:  
PFA060, PSA060,  
PSR050, PXA060



**FD16-P-BX00**

Compatible pumps:  
PFA140, PS140, PXA140

### Standalone In-Line Catcher™ Pre-Filters

In-line pre-filters should be placed between your pump inlet fitting and other components in the fluid line. They can also be used to protect other equipment in your tool from harmful wafer shards and debris.



**FD08-S-MF08**

In-line pre-filters are compatible with all White Knight pumps.



**FD12-S-MF12**



**FD12-S-BX00**

**FD12 - S - B F12**

**F08 - 021**

(optional)






0 1 2 3 4 5

Standard options highlighted

0. Model		1. Mount Position		2. Fitting Port	
1/2-in pre-filter	FD08	Mounted	P	Buttress	B
3/4-in pre-filter	FD12	Standalone	S	Machined	M
1-in pre-filter	FD16				

FD08, FD12 are mounted or standalone. FD16 are mounted with buttress only. Mounted 08, 12, and 16 pre-filters fit 030, 060, and 140 products, respectively. Only specify outlet if different than inlet.

Model Compatibility			
Standalone		Mounted	
Machined	Buttress		
FD08-S-M	FD12-S-M	FD12-S-B	FD08-P-B
			FD16-P-B
			FD12-P-B

Liquid Fittings	3. Inlet	4. Outlet	Model Compatibility	
			Machined	Buttress
No Fitting	X00	X00		✓
Plugged	B00	B00		✓
Machined 1/2 in. Flare	F08	F08	✓	
Machined 3/4 in. Flare	F12	F12		✓
Flaretek Compatible 	1/2 in. F08	F08		✓
	3/4 in. F12	F12		✓
	1 in. F16	F16		✓
	1-1/4 in. F20	F20		✓
Pillar S-300 	3/8 in. P06	P06		✓
	1/2 in. P08	P08		✓
	3/4 in. P12	P12		✓
	1 in. P16	P16		✓
	1-1/4 in. P20	P20		✓
PrimeLock	1/2 in. L08	L08		✓
	3/4 in. L12	L12		✓
	1 in. L16	L16		✓
Machined 1 in. FNPT	N16	N16	✓	
FNPT 	1/2 in. N08	N08		✓
	3/4 in. N12	N12		✓
	1 in. N16	N16		✓
Tube Out 	1/2 in. T08	T08		✓
	3/4 in. T12	T12		✓
	1 in. T16	T16		✓
	1-1/4 in. T20	T20		✓
Weldable 	3/4 in. W12	W12		✓
	1 in. W16	W16		✓

5. Screen Orifice	
.043-in	Blank
.021-in	021



Blank options are not NPT nor any other standard. Pillar fittings require nut and ferrule and are NOT supplied by White Knight. Contact us for copy exact code activation information.

<https://wkfluidhandling.com/pre-filters/>



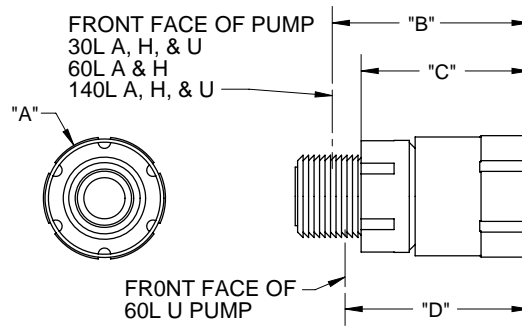


### Dimensions

#### Product-Mounted

mm (inches)

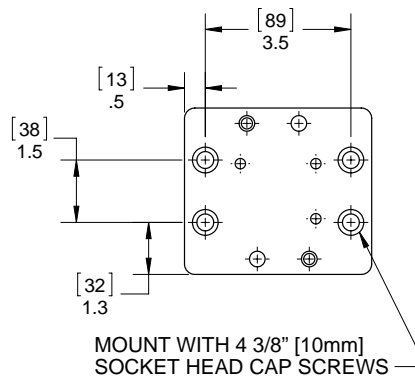
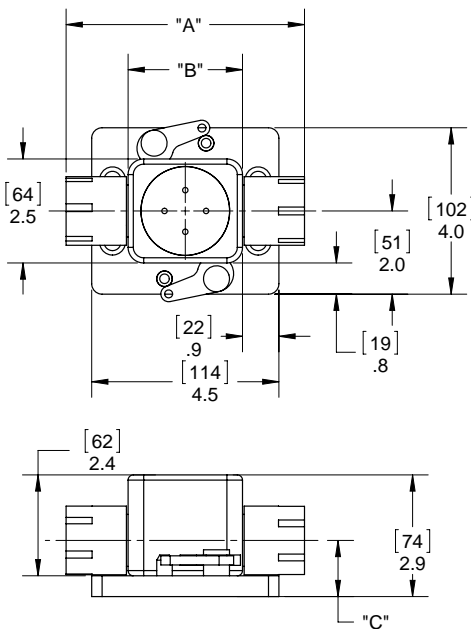
	FD08-P-BX00	FD12-P-BX00	FD16-P-BX00
A	1.9 (48)	1.9 (48)	2.4 (61)
B	2.3 (58)	3.0 (76)	4.1 (104)
C	2.2 (56)	2.6 (66)	3.5 (89)
D	n/a	2.8 (71)	n/a



### Specifications

Model	CV
FD08-S-MF08	2.4
FD08-S-MF08-021	2.0
FD08-P-BX00	2.2
FD08-P-BX00-021	2.0
FD12-S-MF12	4.2
FD12-S-MF12-021	4.2
FD12-P-BX00	4.8
FD12-P-BX00-021	4.8
FD16-P-BX00	12.8

#### FD08-S-MF08 & FD12-S-MF12

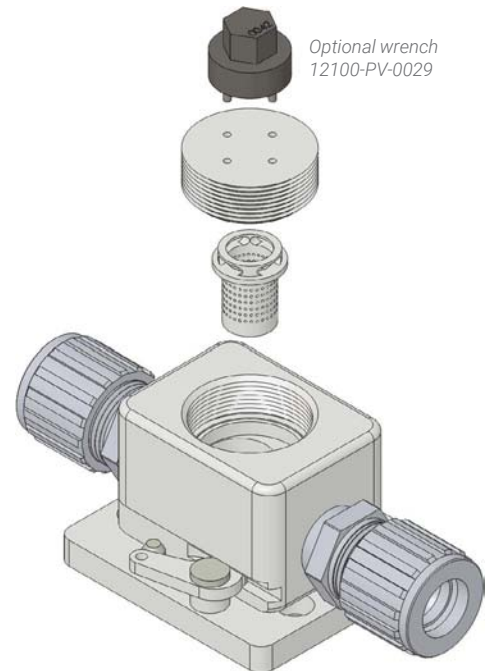


Dimensions in mm (inches)

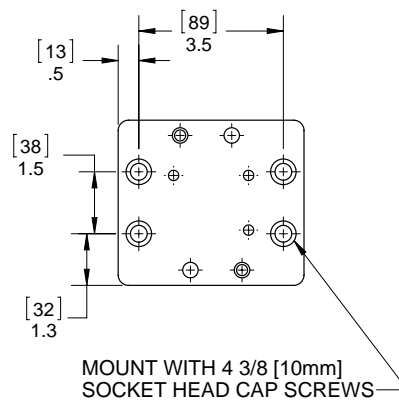
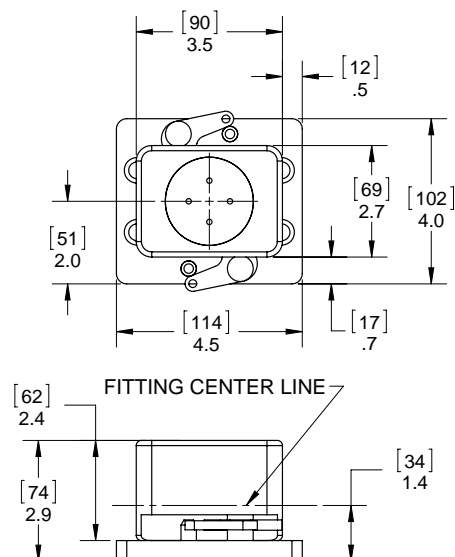
	FD08-S-MF08	FD12-S-MF12
A	5.4 (137)	5.7 (145)
B	2.7(69)	2.8 (71)
C	1.3 (33)	1.4 (36)

### Filter Maintenance

Filters can be removed and cleaned without disconnecting liquid lines.



#### FD12-S-MN12



\*SAME LIQUID FITTINGS AVAILABLE FOR BOTH PUMPS AND CATCHERS

