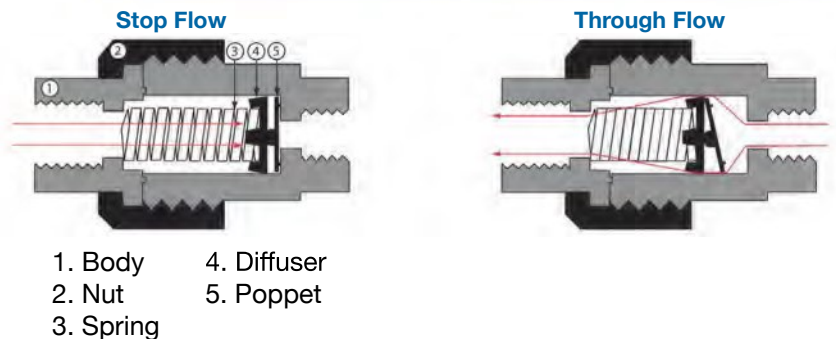


Our **iPolymer Check Valve** features all PTFE wetted surfaces for excellent performance in all high purity applications. Our PTFE design resists chemical corrosion and other elements within harsh process environments.

iPolymer Check Valves are commonly found as backflow preventers in clean processes. They are a simple and ideal device where directional flow control is a must.

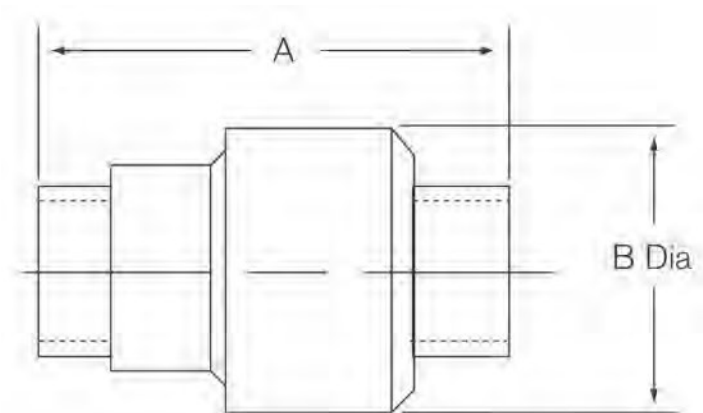
Depending on the check valve size selected and cracking pressure, some external non-wetted components may include Polypropylene or PVDF. The special internal control spring for 3 psi to 6 psi (nominal 5 psi) cracking pressure is machined virgin PTFE for the 1/8" to 1/2" units. Whereas, for higher cracking pressures the spring construction is Teflon Coated 316 Stainless Steel precision ground.

Please contact us with your special application requirements. Special PEEK, PVDF and Polypro configurations are available upon request.



Specifications	- 5	- 10	- 20
<b>Cracking Pressure</b>	3 - 6 psi	7 - 13 psi	17- 23 psi
<b>Max Operating Pressure</b>	50 psi	50 psi	50 psi
<b>Media Temperature</b>	212° F / 100° C	212° F / 100° C	212° F / 100° C
<b>Ambient Temperature</b>	140° F / 60° C	140° F / 60° C	140° F / 60° C
<b>Spring</b>	1/8" - 1/2" PTFE 3/4" - 1" 316 SS Teflon Coated	316 Stainless Steel Teflon Coated	316 Stainless Steel Teflon Coated

\* 1 psi required to reseal



Custom configurations are available

Inlet & Outlet Port Size	Dim A			B
	PIPE	TUBE	FLARE	
1/8"	2.08	2.86	-	1.25
1/4"	2.44	3.01	3.60	1.25
3/8"	2.74	3.34	4.02	1.75
1/2"	3.12	3.52	4.22	1.75
3/4"	4.57	5.31	6.07	2.76
1"	4.95	5.75	6.57	2.76



## Check Valve: ORDERING FORMAT



	Orifice & Port Size		
	PIPE	TUBE	FLARE
2-2	.125" Orifice & 1/8" NPT	.063" Orifice & 1/8" Tube	-
4-4	.250" Orifice & 1/4" NPT	.188" Orifice & 1/4" Tube	.125" Orifice & 1/4" Flare
6-6	.375" Orifice & 3/8" NPT	.313" Orifice & 3/8" Tube	.250" Orifice & 3/8" Flare
8-8	.500" Orifice & 1/2" NPT	.436" Orifice & 1/2" Tube	.375" Orifice & 1/2" Flare
12-12	.750" Orifice & 3/4" NPT	.688" Orifice & 3/4" Tube	.592" Orifice & 3/4" Flare
16-16	1.00" Orifice & 1" NPT	.938" Orifice & 1" Tube	.875" Orifice & 1" Flare

### Cracking Pressure

05 = 3 psi to 6 psi  
10 = 7 psi to 13 psi  
20 = 17 psi to 23 psi

### End Connection

P = FNPT  
T = Tube  
F = Flared  
M = MNPT

### iPolymer Product Notes:

1. Please email Customer Service at info@ipolymer.com
2. Call us for special applications.
3. Upon request, alternate material selection from those listed will allow for expanding temperature ratings or other performance characteristics.
4. Unauthorized disassembly of this product will void the original factory one-year product warranty. For further details please contact your local Distributor or our factory directly.

200304