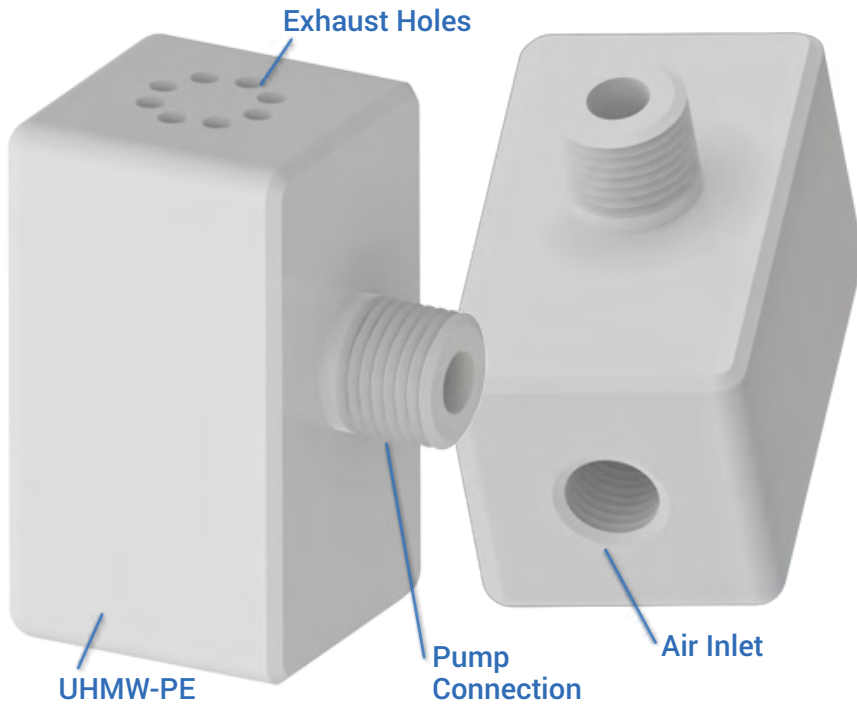




## Increase Efficiency, Reduce Risk and Minimize Noise

Reduce the energy required to exhaust air to increase pump efficiency, and reduce risk of caustic chemicals escaping into sensitive environments by redirecting air into the pump containment area.



### Features & Benefits

- Non-metallic, corrosion-resistant materials extend QEV life and have no potential of ion contamination
- Auto-venting improves performance by reducing the energy required to exhaust air from the pump
- Reduce risk of caustic chemicals exhausting into sensitive areas by redirecting air into containment area
- Easy to install and service with
- Durable design with minimal parts
- Integral muffler reduces size and noise

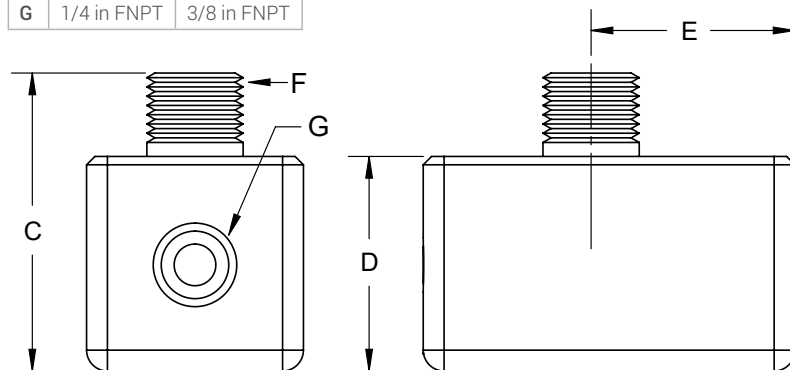
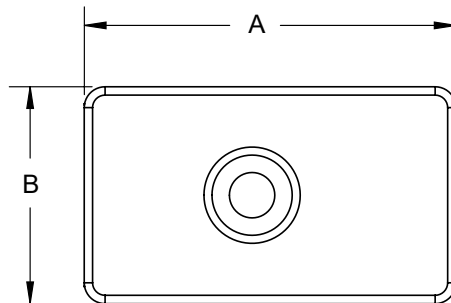
### Compatibility

QEV05 and QEV07 are designed for current White Knight pumps. QEV04 and QEV06 are for White Knight Legacy models, other standard NPT pumps and in-line options.

### Dimensions

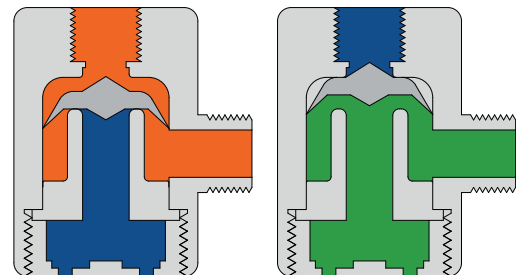
Dimensions in mm (in)

	QEV04 QEV05	QEV06 QEV07
A	58 (2.3)	63 (2.5)
B	33 (1.3)	43 (1.7)
C	46 (1.8)	56 (2.2)
D	33 (1.3)	43 (1.7)
E	32 (1.3)	34 (1.4)
F	1/4 in or 5/16 in NPT	3/8 in or 7/16 in NPT
G	1/4 in FNPT	3/8 in FNPT



### Operation

Supply Air (orange) Exhaust Air (green) Ambient Air (blue)



### Specifications

Model	Materials	Connections	Weight	C <sub>v</sub>
QEV04	UHMW-PE	1/4 in NPT 1/4 in FNPT	0.05 kg (0.1 lb)	1.0
QEV05	UHMW-PE	5/16 in NPT* 1/4 in FNPT	0.05 kg (0.1 lb)	1.0
QEV06	UHMW-PE	3/8 in NPT 3/8 in FNPT	0.9 kg (0.2 lb)	1.5
QEV07	UHMW-PE	7/16 in NPT* 3/8 in FNPT	0.9 kg (0.2 lb)	1.5

\*Non-standard NPT

